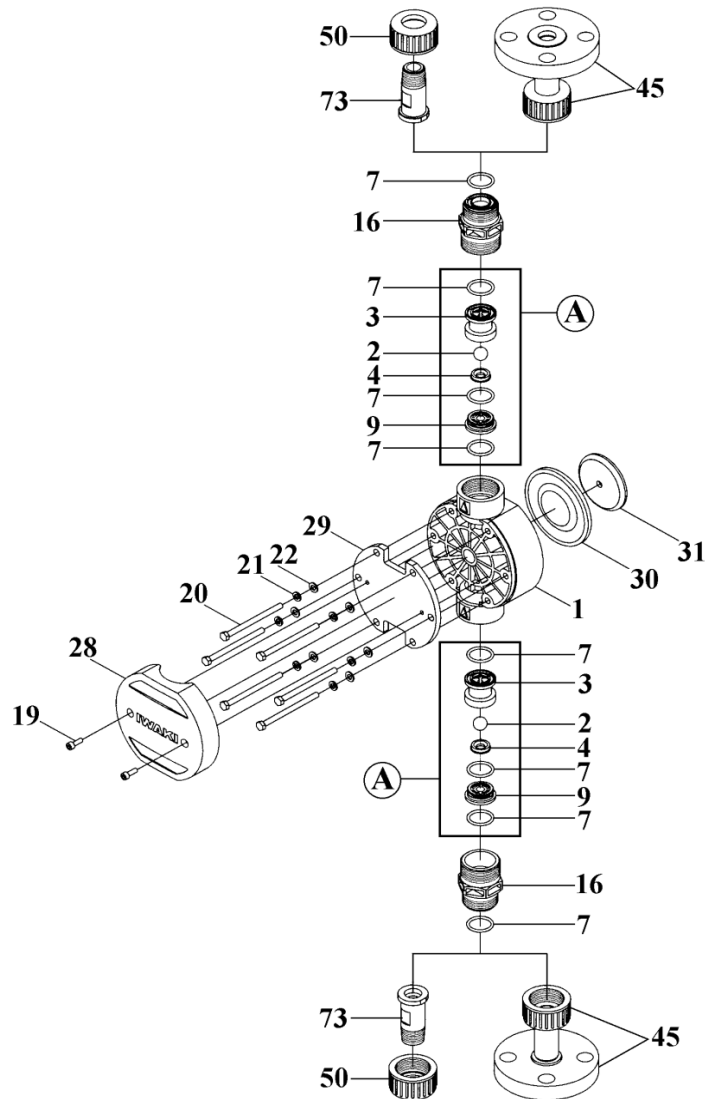


IX-C060T (PVDF)

No. 94-019
July 01, 2020



Item	Description	Q'ty	Material	Part No.	
1	Pump Head	1	PVDF	IX0046	
2	Valve Ball	2	Alumina Ceramic	IX0047	
3	Valve Guide	2	PVDF	IX0048	
4	Valve Seat	TC	2	FKM-A	IX0049
		TE	2	EPDM	IX0050
7	O-Ring, P-20	TC	8	FKM-A	IX0051
		TE	8	EPDM	IX0052
9	Seat Holder	2	PVDF	IX0053	
16	Adapter	2	PVDF	IX0054	
19	Hex. Socket Head Bolt	M4x12	2	SUS304 equivalent	IX0055
20	Hex. Head Bolt	M5x70	6	SUS316L	IX0056
21	Spring Washer	M5	6	SUS316 equivalent	IX0057
22	Plate Washer	M5	6	SUS316 equivalent	IX0058
28	Bolt Cover	1	GFRPPE	IX0059	
29	Reinforcing Plate	1	Steel	IX0060	
30	Diaphragm	1	PTFE (+EPDM)	IX0061	
31	Retainer Plate	1	SUS304	IX0062	
45	Flange Unit <DN15>	FD	2	PVDF+GFRPP	IX0064
50	Nut	R	2	PVDF	IX0066
73	Fitting <R1/2>	R	2	PVDF	IX0067
A	Valve Set	TC	2	CE+PVDF+FKM-A	IX0069
		TE	2	CE+PVDF+EPDM	IX0070

△ Subject to change without prior notice! △ Actual pump may differ from the exploded view!