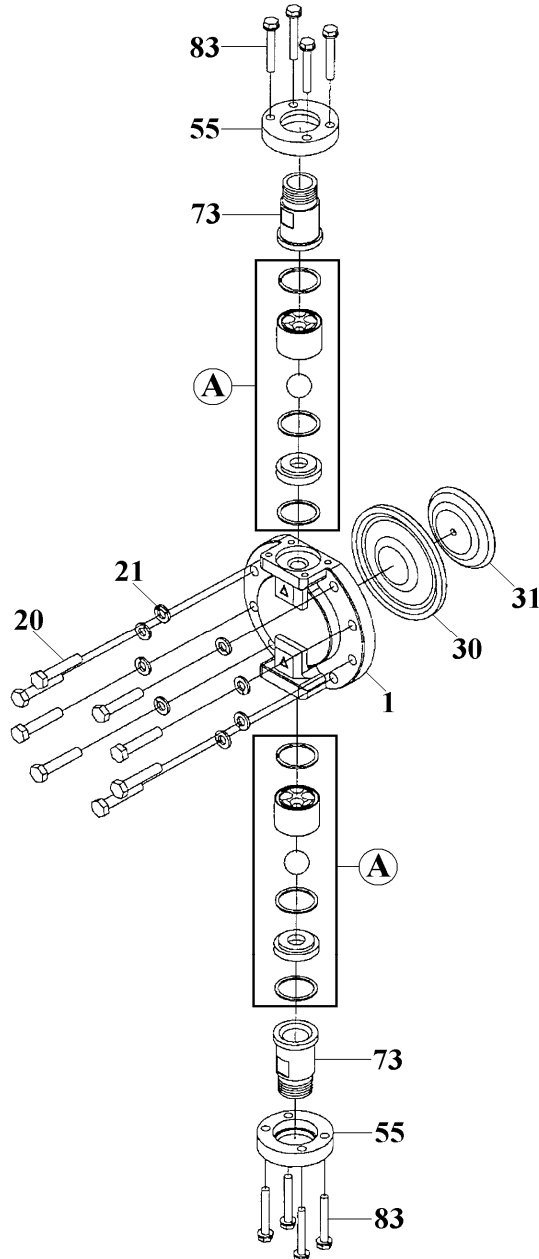


# IX-C150S6R (SUS316)

No. 94-002i  
Feb. 01, 2011



Item	Description	Q'ty	Material	Part No.
1	<b>Pump Head</b>	1	SUS316	<b>IX0023</b>
20	<b>Hex. Head Bolt, M8x40</b>	8	SUS304 equivalent	<b>IX0028</b>
21	<b>Spring Washer, M8</b>	8	SUS304 equivalent	<b>IX0011</b>
30	<b>Diaphragm</b>	1	PTFE (+EPDM)	<b>IX0014</b>
31	<b>Retainer Plate</b>	1	SUS304	<b>IX0015</b>
55	<b>Setting Flange</b>	2	SUS304	<b>IX0029</b>
73	<b>Fitting</b>	2	SUS316	<b>IX0030</b>
83	<b>Hex. Bolt with S.W., M6x45</b>	8	SUS304 equivalent	<b>IX0031</b>
A	<b>Valve Set</b>	2		<b>IX0032</b>

⚠ Subject to change without prior notice! ⚠ Actual pump may differ from the exploded view!