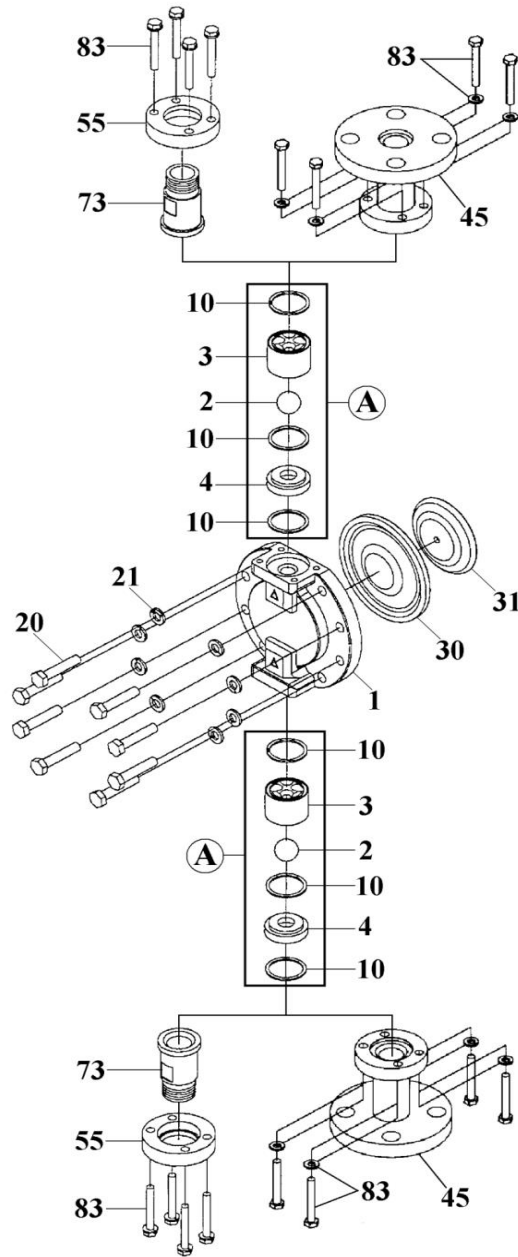


# IX-C150S6 (SUS316)

No. 94-022  
July 01, 2020



| Item | Description         | Q'ty      | Material     | Part No.      |        |
|------|---------------------|-----------|--------------|---------------|--------|
| 1    | Pump Head           | (Old)     | SUS316       | IX0023        |        |
|      |                     | '1' • '2' | SUS316       | IX0084        |        |
| 2    | Valve Ball          | 2         | SUS316       | IX0024        |        |
| 3    | Valve Guide         | 2         | SUS316       | IX0025        |        |
| 4    | Valve Seat          | 2         | SUS316       | IX0026        |        |
| 10   | Valve Gasket        | 6         | PTFE         | IX0027        |        |
| 20   | Hex. Head Bolt      | M8x40     | 8            | SUS304        | IX0028 |
| 21   | Spring Washer       | M8        | 8            | SUS304        | IX0011 |
| 30   | Diaphragm           | 1         | PTFE (+EPDM) | IX0014        |        |
| 31   | Retainer Plate      | 1         | SUS304       | IX0015        |        |
| 45   | Flange Unit <DN20>  | FD        | 2            | SUS316+SUS304 | IX0044 |
| 55   | Setting Flange      | R         | 2            | SUS304        | IX0029 |
| 73   | Fitting <R3/4>      | R         | 2            | SUS316        | IX0030 |
| 83   | Hex. Bolt with S.W. | M6x45     | 8            | SUS304        | IX0031 |
| A    | Valve Set           | 2         |              | IX0032        |        |

△ Subject to change without prior notice! △ Actual pump may differ from the exploded view!