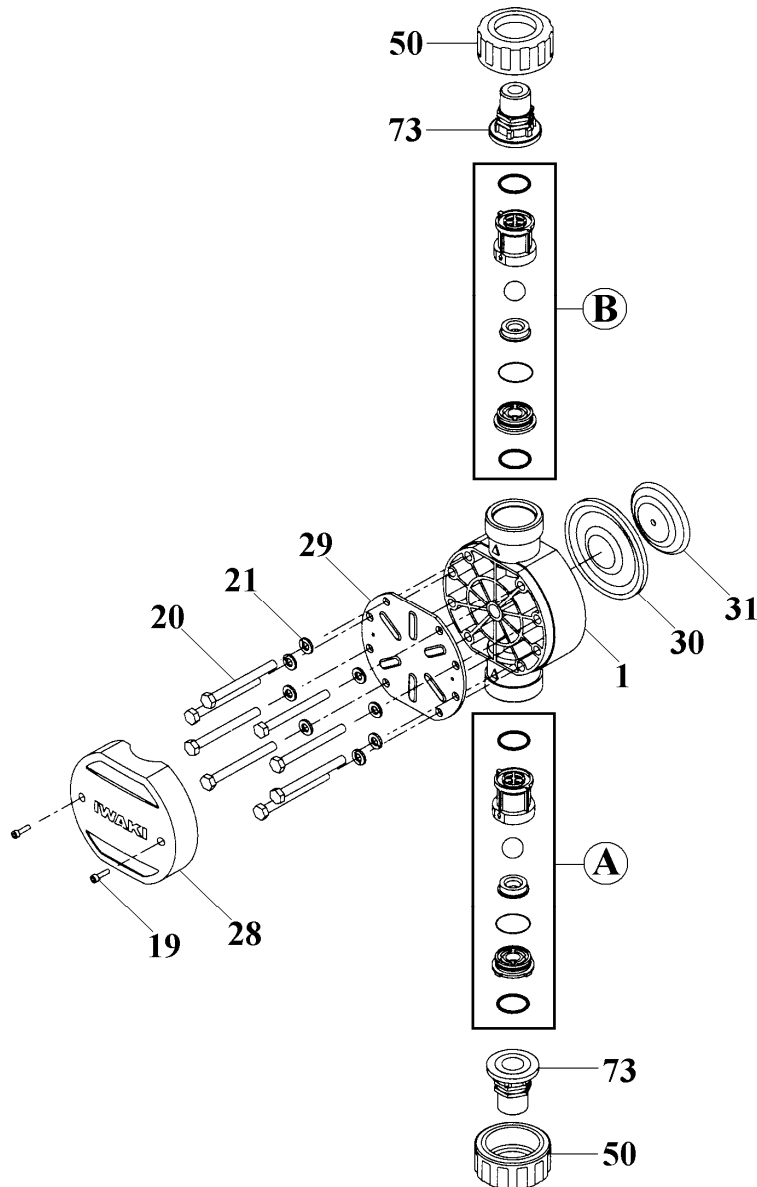


IX-C150T-R (PVDF)

No. 94-101i
Apr. 01, 2011



Item	Description	Q'ty	Material	Part No.	
1	Pump Head	1	PVDF	IX0001	
19	Cap Bolt, M4x15	2	Steel	IX0009	
20	Hex. Head Bolt, M8x80	8	SUS304 equivalent	IX0010	
21	Spring Washer, M8	8	SUS304 equivalent	IX0011	
28	Bolt Cover	1	GFRPPE	IX0012	
29	Reinforcing Plate	1	Steel	IX0013	
30	Diaphragm	1	PTFE (+EPDM)	IX0014	
31	Retainer Plate	1	SUS304	IX0015	
50	Nut	2	GFRPP	IX0016	
73	Fitting <R3/4>	2	PVDF	IX0017	
A	Valve Set, IN	TC	1	CE+PVDF+FKM-A	IX0021
		TE	1	CE+PVDF+EPDM	IX0033
B	Valve Set, OUT	TC	1	CE+PVDF+FKM-A	IX0022
		TE	1	CE+PVDF+EPDM	IX0034

△ Subject to change without prior notice! △ Actual pump may differ from the exploded view!