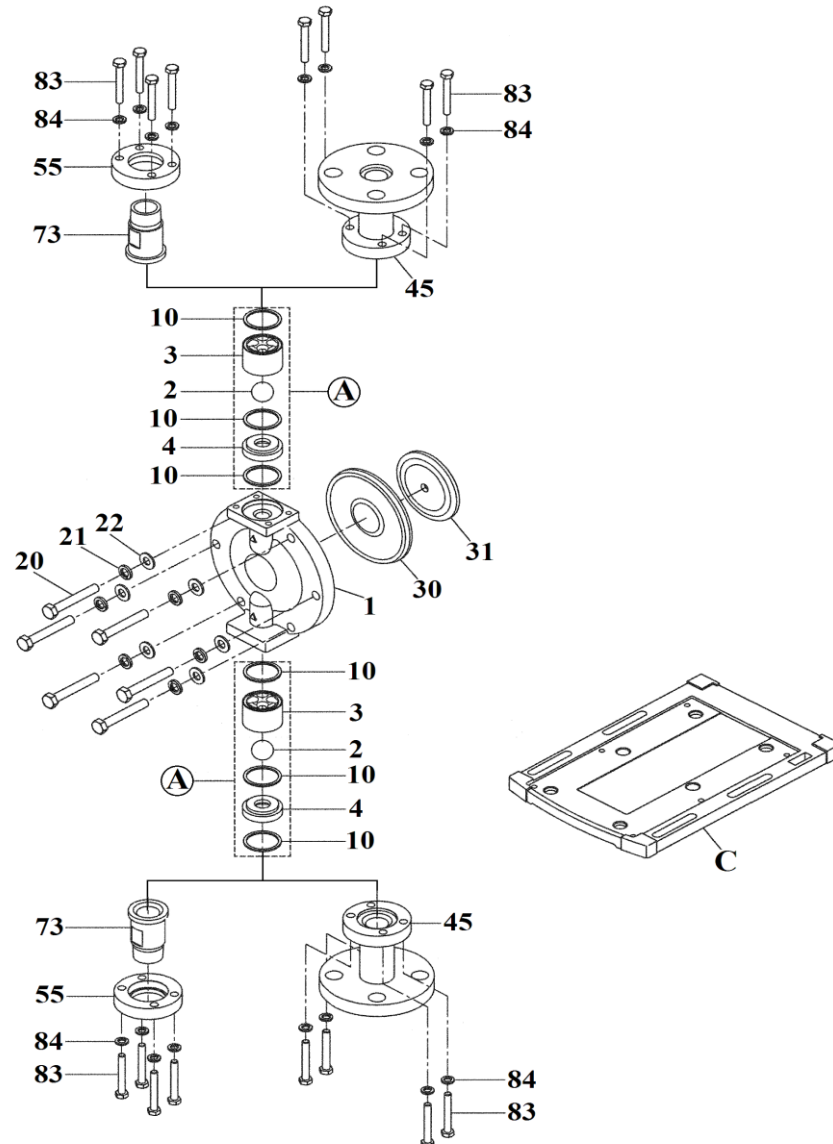


IX-D150S6 (SUS316)

No. 94-024
July 01, 2020



Item	Description		Q'ty	Material	Part No.
1	Pump Head		1	SCS14	IX0113
2	Valve Ball		2	SUS316	IX0024
3	Valve Guide		2	SUS316	IX0025
4	Valve Seat		2	SUS316	IX0026
10	Valve Gasket		6	PTFE	IX0027
20	Hex. Head Bolt	M8x55	6	SUS316L	IX0114
21	Spring Washer	M8	6	SUS316L	IX0109
22	Plate Washer	M8	6	SUS316L	IX0110
30	Diaphragm		1	PTFE (+EPDM)	IX0085
31	Retainer Plate		1	SUS304	IX0086
45	Flange Unit	"DN20" FD	2	SUS316+SUS304	IX0044
		"JIS20A" FJ	2	SUS316+SUS304	IX0043
		"ANSI 3/4" FA	2	SUS316+SUS304	IX0045
55	Setting Flange	R • N	2	SUS304	IX0029
73	Fitting	R3/4 R	2	SUS316	IX0030
		NPT3/4 N	2	SUS316	IX0036
83	Hex. Head Bolt	M6x45	8	SUS316L	IX0115
84	Spring Washer	M6	8	SUS316L	IX0116
A	Valve Set		2		IX0032
C	Base		1	GFRPPE	IX0136

△ Subject to change without prior notice! △ Actual pump may differ from the exploded view!