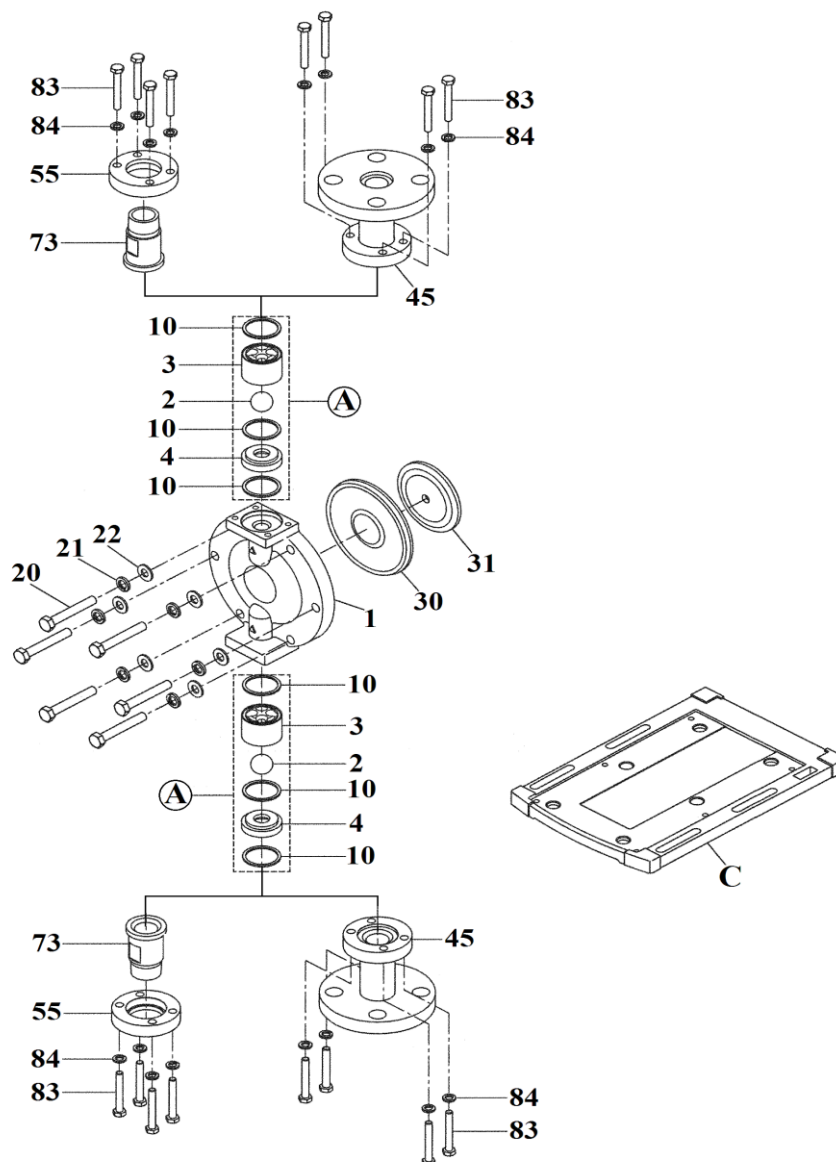


IX-D300S6 (SUS316)

No. 94-026
July 01, 2020



Item	Description		Q'ty	Material	Part No.
1	Pump Head		1	SCS14	IX0127
2	Valve Ball		2	SUS316	IX0099
3	Valve Guide		2	SUS316	IX0100
4	Valve Seat		2	SUS316	IX0101
10	Valve Gasket		6	PTFE	IX0102
20	Hex. Head Bolt	M8x58	6	SUS316L	IX0128
21	Spring Washer	M8	6	SUS316L	IX0109
22	Plate Washer	M8	6	SUS316L	IX0110
30	Diaphragm		1	PTFE (+EPDM)	IX0104
31	Retainer Plate		1	SUS304	IX0105
45	Flange Unit	"DN25" FD	2	SUS316+SUS304	IX0123
		"JIS25A" FJ	2	SUS316+SUS304	IX0122
		"ANSI 1" FA	2	SUS316+SUS304	IX0124
55	Setting Flange	R • N	2	SUS316	IX0129
73	Fitting	R1 R	2		IX0130
		NPT1 N	2	SUS316	IX0131
83	Hex. Head Bolt	M6x55	8	SUS316L	IX0132
84	Spring Washer	M6	8	SUS316L	IX0116
A	Valve Set		2		IX0103
C	Base		1	GFRPPE	IX0136

△ Subject to change without prior notice! △ Actual pump may differ from the exploded view!