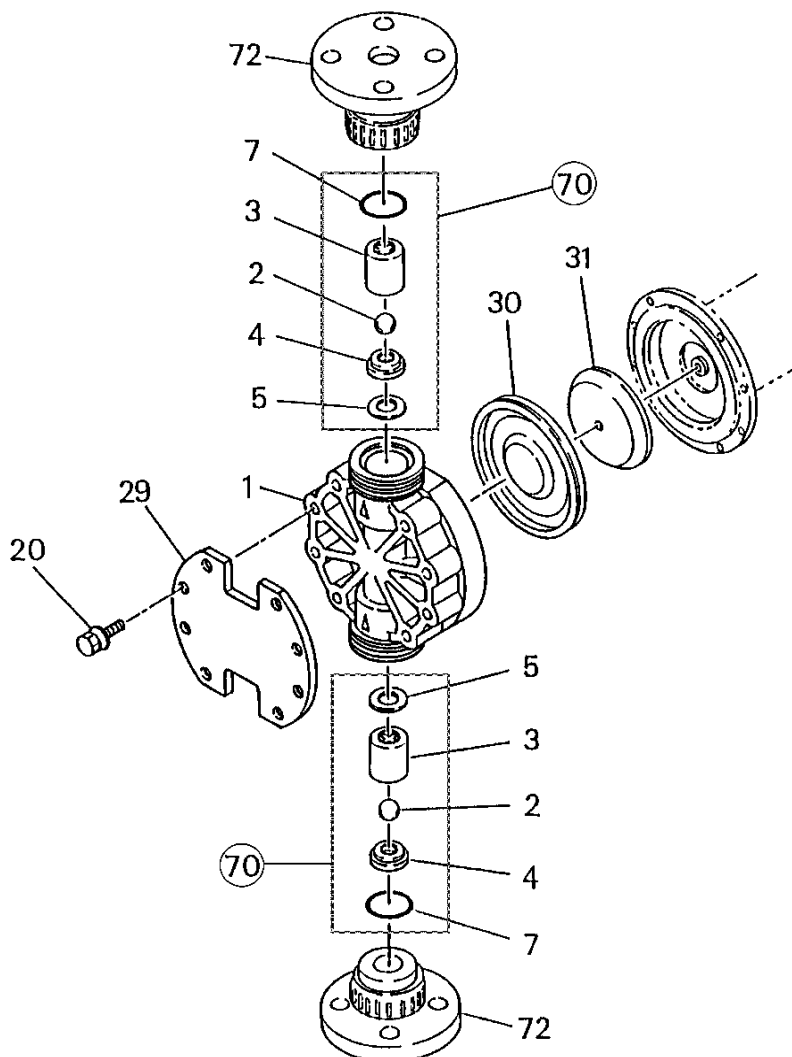


LK-F55•57 / A55•57 *TC* (PVDF)

No. 85-085
June 1st, 2020



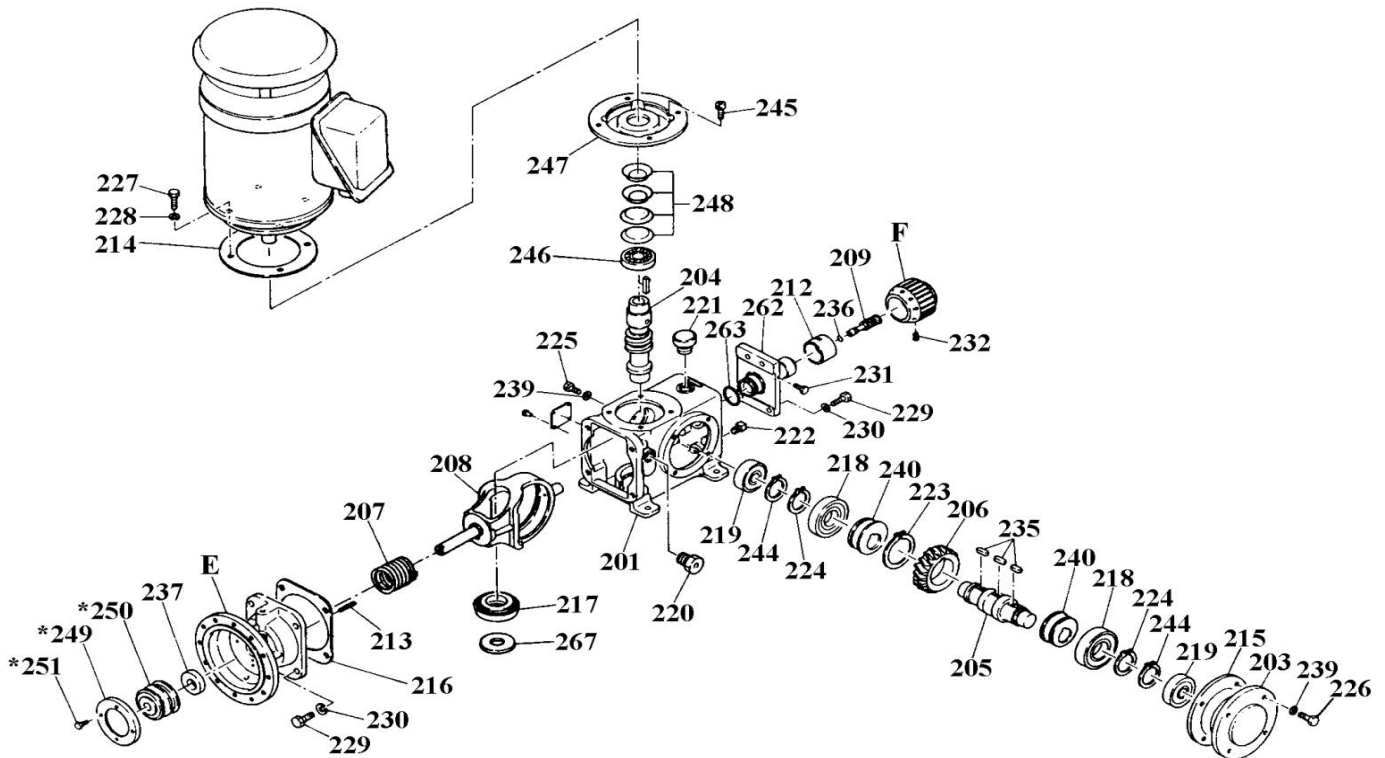
LK-55-57TC				
Item	Description	Q'ty	Material	Part No.
1	Pump Head	1	CFRPVDF	L1521
2	Valve Ball	2	Alumina Ceramic	L0151
3	Valve Guide	2	CFRPVDF	L0363
4	Valve Seat	2	CFRPVDF	L0364
5	Valve Gasket	2	PTFE	L0155
7	O-Ring, P-38	2	FKM-A	L0161
20	Hex. Bolt with S.W., M8x75	8	SUS304	L1168
29	Reinforcing Plate (RAL5002)	1	FC200	L1664
30	Diaphragm	1	PTFE (+EPDM)	L0167
31	Retainer Plate	1	SUS304	L0168
70	Valve Set	2		L0375
72	Flange Unit <T> "DN 25"	2	PVDF+(GFRPP)	L9964

*Note: Item No.72 (DIN Flange Unit) is to be quoted on request.

⚠ Subject to change without prior notice! ⚠ Actual pump may differ from the exploded view!

LK-A *Drive Unit*

No. 85-088
June 1st, 2020



Item	Description	Q'ty	Remark	Part No.
201	Case	1	FC200	L1274
*E	Bracket Ass'y (FC200) *See Note	1	LK-A55•57	L1363
		1	LK-A65	L1364
203	Bearing Holder	1	ADC12	L1283
204	Worm (Steel)	1	LK-A55•65	L1285
		1	LK-A57	L1286
205	Worm Wh. Shaft	1	Steel	L1289
206	Worm Wheel	1	LK-A55•65	L1293
		1	LK-A57	L1294
207	Spring	1	Steel	L1298
208	Slider Unit <with Shaft>	1	LK-A55•57	L1649
		1	LK-A65	L1650
209	Stroke Length Shaft (Steel)	1	LK-A55•57	L1303
		1	LK-A65	L1304
*F	Dial Unit *See Note	1	GFRPP+S4	L1657
212	Stroke Length Scale (ABS)	1	LK-A55•57	L1315
		1	LK-A65	L1320
213	Spring Pin (M6x80)	1	Steel	L1321
214	Gasket A	1		L1527
215	Gasket B	1		L1528
216	Gasket C	1		L1529
217	Roller Bearing	1	4T-30204	L1328
218	Ball Bearing	2	6012	L1331
219	Ball Bearing	2	6205	L1333
220	Oil Gauge (3/4")	1		L1335
221	Oil Cap (3/8")	1		L1400
222	Plug	1	Steel	L1337
223	Retaining Ring	1	Steel	L1338

Item	Description	Q'ty	Remark	Part No.
224	Retaining Ring	2	Steel	L1115
225	Hex. Bolt (M8x10)	1	Steel	L1342
226	Hex. Bolt (M8x20)	4	Steel	L0758
227	Hex. Bolt (M8x25)	4	Steel	L1345
228	Spr. Washer (M8)	4	Steel	L0271
229	Hex. Bolt (M10x30)	8	Steel	L1347
230	Spr. Washer (M10)	8	Steel	L0427
231	Cap Bolt (M6x25)	1	S4 equiv.	L1349
232	Setscrew (M6x10)	2	S4 equiv.	L1350
235	Key (7x7x22)	3	Steel	L1354
236	O-Ring (P-9)	1	NBR	L0865
237	Oil Seal (18x35x11)	1	NBR	L1356
239	Seal Washer (M8)	5	NBR	L1375
240	Eccentric Cam (Steel)	2	LK-A55•57	L1370
		2	LK-A65	L1371
244	Retaining Ring	2	Steel	L1340
245	Cap Bolt (M8x12)	4	Steel	L1397
246	Ball Bearing	1	6005ZZ	L1383
247	Housing	1	FC200	L1398
248	Belleville Spring	4	Steel	L1386
*249	Retainer (GFRPP)	1	*LK-A65	L1359
*250	Seal Bellows	1	*LK-A65	L1361
*251	Cap Bolt (M5x10)	4	*LK-A65	L1360
262	Control Case (FC200)	1	LK-A55•57	L1378
		1	LK-A65	L1379
263	O-Ring (G-40)	1	NBR	L1377
267	Bearing Spacer	1	Steel	L1654

*Notes: (1) Item E ("Bracket Assembly") is equipped with Item 213 (Spring Pin) and Item 237 (Oil Seal).
(2) Item F ("Dial Unit") is equipped with Item 232 (Setscrew).

Notes: (3) Items 249, 250 & 251 marked with * are required for LK-A65 only.
(4) Item 247 (Housing) and Item 267 (Bearing Spacer) are to be quoted on request.

⚠ Subject to change without prior notice! ⚠ Actual pump may differ from the exploded view!