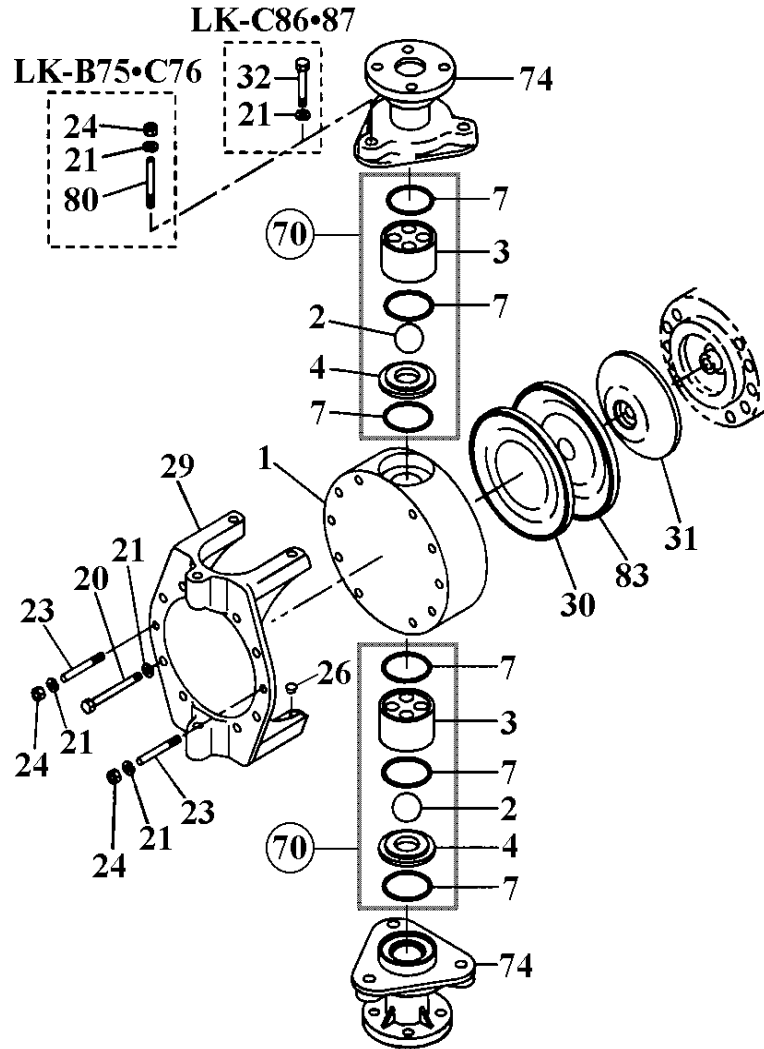


# LK-B75•C76•86•87 (PVC)

No. 85-077  
June 1st, 2020



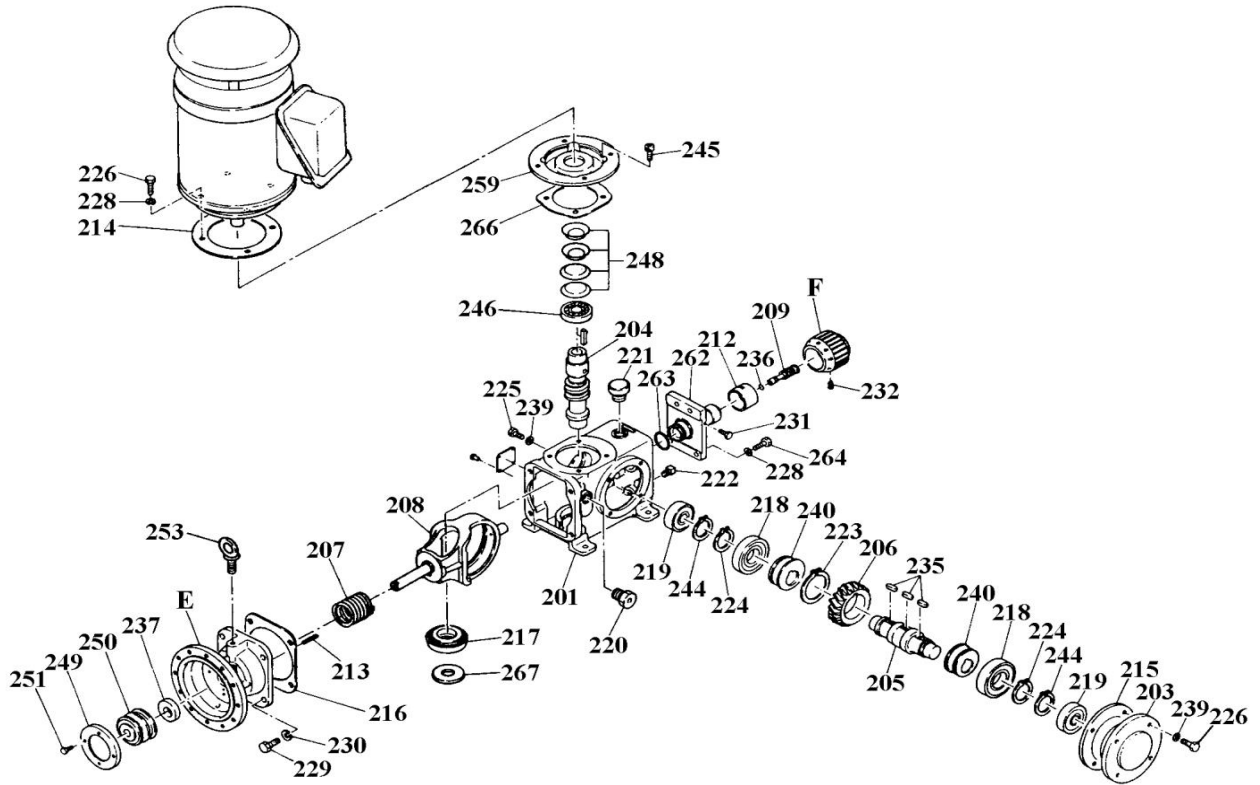
Item	Description	Q'ty	Material	LK-B75•C76		LK-C86•87	
				Part No.		Part No.	
1	<b>Pump Head</b>	1	PVC	L1463		L0709	
2	Valve Ball	VC	Alumina Ceramic	L0621		L0711	
		VS4	SUS304	L0198		L0712	
3	Valve Guide	2	PVC	L1464		L1665	
4	Valve Seat	2	PVC	L1466		L0715	
7	O-Ring, G-50•G-80	VC	FKM-A	SMX0053		MD0198	
		VS4	EPDM	SMX0054		MD0199	
20	Hex. Head Bolt	M12x105	SUS304	L1473			
		M12x140	SUS304			L1484	
21	Spring Washer	M12	SUS304	L0208		⊠	
23	Stud Bolt	M12x125	SUS304	L1474			
		M12x165	SUS304			L1485	
24	Hex. Nut	M12	SUS304	L1462		⊠	
26	Insert Bumper	2	NBR	L1716		⊠	
29	Reinforcing Plate	1	FC250	L1475		L1487	
30	Diaphragm	1	PTFE (+EPDM)	L0210		L0729	
31	Retainer Plate	1	Steel	L1395		L1396	
32	Hex. Head Bolt	M12x85	SUS304			L1488	
70	Valve Set	VC	Ceramic+FKM-A	L1472		L0719	
		VS4	SUS304+EPDM	L1470		L0720	
*74	Flange Unit "T"	DN50•65	PVC	L9968		L9969	
80	Stud Bolt	M12x95	SUS304	L1477			
83	Rear Sheet	1	PTFE	L0429		L0735	

\*Note: Item No.74 (DIN Flange Unit) is to be quoted on request.

⊠ Subject to change without prior notice! ⊠ Actual pump may differ from the exploded view!

# LK-C \*Drive Unit\*

No. 85-090  
June 1st, 2020



Item	Description	Q'ty	Remark	Part No.
201	Case	1	FC200	L1276
*E	Bracket Ass'y (FC200) *See Note	1	LK-C76	L1367
		1	LK-C86•87	L1368
203	Bearing Holder	1	ADC12	L1284
204	Worm (Steel)	1	LK-C76•86	L1620
		1	LK-C87	L1358
205	Worm Wh. Shaft	1	Steel	L1292
206	Worm Wheel (Al.+B.Casting)	1	LK-C76•86	L1619
		1	LK-C87	L1297
207	Spring	1	Steel	L1300
208	Slider Unit <with shaft>	1	LK-C76	L1652
		1	LK-C86•87	L1653
209	Str. Length Shaft	1	Steel	L1307
*F	Dial Unit *See Note	1	GFRPP	L1657
212	Str. Length Scale		ABS	L1319
213	Spring Pin (8x95)	1	Steel	L1322
214	Gasket A	1		L1499
215	Gasket B	1		L1530
216	Gasket C	1		L1531
217	Roller Bearing	1	4T-32208	L1330
218	Ball Bearing	2	6014	L1332
219	Ball Bearing	2	6306	L1334
220	Oil Gauge (3/4")	1		L1335
221	Oil Cap (3/4")	1		L1336
222	Plug	1	Steel	L1337
223	Retaining Ring	1	Steel	L1339
224	Retaining Ring	2	Steel	L1338

Item	Description	Q'ty	Remark	Part No.
225	Hex. Bolt (M10x10)	1	Steel	L1343
226	Hex. Bolt (M10x25)	8	Steel	L1344
228	Spr. Washer (M10)	8	Steel	L0427
229	Hex. Bolt (M12x30)	4	Steel	L1348
230	Spr. Washer (M12)	4	Steel	L0441
231	Cap Bolt (M6x25)	1	SUS304 eq.	L1349
232	Setscrew (M6x10)	2	SUS304 eq.	L1350
235	Key (7x7x22)	3	Steel	L1354
236	O-Ring (P-10A)	1	NBR	L1355
237	Oil Seal (25x40x8)	1	NBR	L1357
239	Seal Washer (M10)	5	NBR	L1376
240	Eccentric Cam	2	Steel	L1374
244	Retaining Ring	2	Steel	L1341
245	Cap Bolt (M10x15)	4	Steel	L1393
246	Ball Bearing	1	6008ZZ	L1385
248	Belleville Spring	4	Steel	L1388
249	Retainer	1	GFRPP	L1359
250	Seal Bellows	1	CR+Steel	L1362
251	Cap Bolt (M5x10)	4	Steel	L1360
253	Eye Bolt (M10)	1	Steel	L1369
259	Motor Adapter	1	FC200	L1390
262	Control Case	1	FC200	L1382
263	O-Ring (G-40)	1	NBR	L1377
264	Hex. Bolt (M10x30)	4	Steel	L1347
266	Gasket D	1		L1532
267	Bearing Spacer	1	Steel	L1656

- \*Notes: (1) Item E ("Bracket Assembly") is equipped with Item 213 (Spring Pin) and Item 237 (Oil Seal).  
 (2) Item F ("Dial Unit") is equipped with Item 232 (Setscrew).  
 (3) Item 267 (Bearing Spacer) is to be quoted on request.

△ Subject to change without prior notice! △ Actual pump may differ from the exploded view!