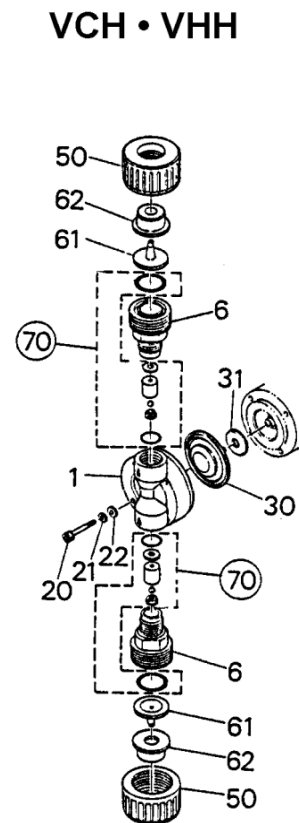
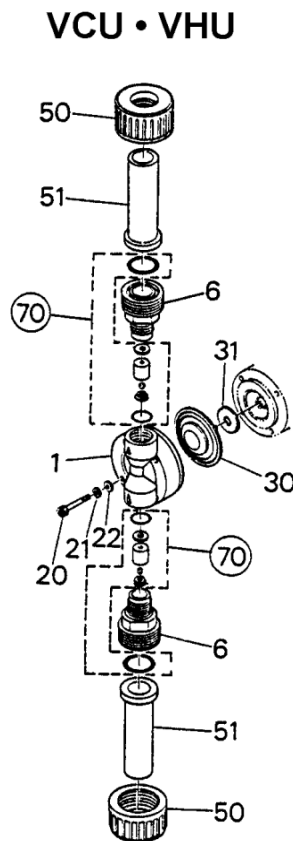
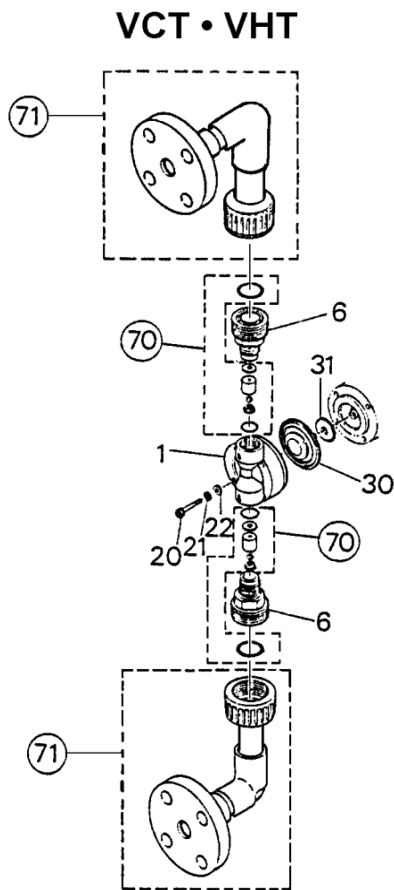


# LK-F11•21•22 (PVC)

No. 85-071  
June 1st, 2020



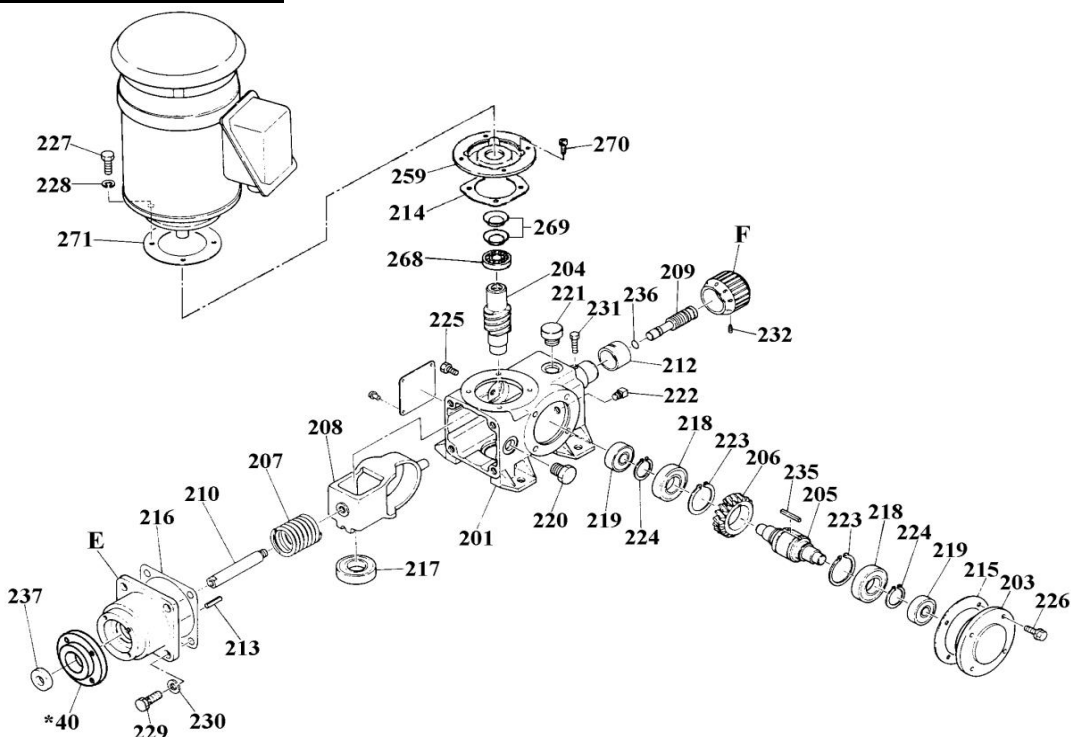
Item	Description	Q'ty	Material	LK-F11		LK-F21•22	
				Part No.		Part No.	
1	<b>Pump Head</b>	1	PVC	L0001		L0031	
6	<b>Adapter</b>	2	PVC	L0012		↔	
20	<b>Hex. Socket (Cap) Bolt</b>	<b>M4x35</b>	4	SUS304 equiv.	L0017		
	<b>Hex. Head Bolt</b>	<b>M5x30</b>	4	SUS304 equiv.			L0047
21	<b>Spring Washer</b>	<b>M4</b>	4	SUS304 equiv.	L0018		
		<b>M5</b>	4	SUS304 equiv.			L0048
22	<b>Plate Washer</b>	<b>M4</b>	4	SUS304 equiv.	EH0055		
		<b>M5</b>	4	SUS304 equiv.			L0049
30	<b>Diaphragm</b>	1	PTFE (+EPDM)	EH0066		EH0086	
31	<b>Retainer Plate</b>	1	SUS304	L0021		L0051	
50	<b>Nut &lt;"U"•"H"&gt;</b>	2	PVC	L0022		↔	
51	<b>Union (VP16) &lt;"U"&gt;</b>	2	PVC	L0024		↔	
61	<b>Tube Insert (4x9mm) &lt;"H"&gt;</b>	2	PVC	L0026		↔	
62	<b>Ferrule (4x9mm) &lt;"H"&gt;</b>	2	Steel	L1717		↔	
70	<b>Valve Set</b>	<b>VC</b>	2	Ceramic+FKM-A	L0010		L0040
		<b>VH</b>	2	HC276+EPDM	L0009		L0039
*71	<b>Flange Unit (Elbow)</b>	<b>DN 15</b>	2	PVC	L1413		↔

\*Note: Item No.71 (DIN Flange Unit) is to be quoted on request.

△Subject to change without prior notice! △Actual pump may differ from the exploded view!

# LK-F \*Drive Unit\*

No. 85-087  
June 1st, 2020



Item	Description	Q'ty	Remark	Part No.
*40	Adapter Bracket	1	LK-F11	L1607
201	Case (ADC12)	1	LK-F11	L1601
		1	LK-F2•4•5	L1602
		1	LK-F3( )	L1603
		1	LK-F5( )	L1603
E	Bracket Ass'y (FC200) with Spring Pin <Item 213> and Oil Seal <Item 237>	1	LK-F11	L1128
		1	LK-F2( )	L1129
		1	LK-F3( )	L1130
		1	LK-F4( )	L1131
		1	LK-F5( )	L1132
203	Bearing Holder	1	ADC12	L1608
204	Worm (Steel)	1	LK-F( )1•5	L1263
		1	LK-F( )2•7	L1264
205	Worm Wheel Shaft (Steel)	1	LK-F11	L1133
		1	LK-F2( )	L1134
		1	LK-F3( )	L1135
		1	LK-F4( )	L1136
		1	LK-F5( )	L1137
206	Worm Wheel (Al.+B.Casting)	1	LK-F( )1•5	L1103
		1	LK-F( )2•7	L1104
207	Spring	1	Steel	L1146
208	Slider	1	Steel	L1105
209	Stroke Length Shaft (Steel)	1	LK-F11	L1710
		1	LK-F2•4•5	L1711
		1	LK-F3( )	L1712
210	Pump Shaft (Steel)	1	LK-F1•2	L1138
		1	LK-F3( )	L1139
		1	LK-F4( )	L1140
		1	LK-F5( )	L1141
F	Dial with Set-screw <Item 232> (ABS+S4 equiv.)	1	LK-F1•2•3	L1415
		1	LK-F4( )	L1416
		1	LK-F5( )	L1417

Item	Description	Q'ty	Remark	Part No.
212	Stroke Length Scale (ABS)	1	LK-F11	L0754
		1	LK-F2•3	L0980
		1	LK-F4( )	L0982
		1	LK-F5( )	L0983
213	Spring Pin (4x40)	1	Steel	L1106
214	Gasket A	1		L1524
215	Gasket B	1		L1525
216	Gasket C	1		L1526
217	Roller Bearing	1	4T-30203	L1112
218	Ball Bearing	2	16004	L1111
219	Ball Bearing	2	6201	L1110
220	Oil Gauge (3/8")	1		L0752
221	Oil Cap (3/8")	1		L1400
222	Plug	1	SUS304	L1113
223	Retaining Ring	2	Steel	L1115
224	Retaining Ring	2	Steel	L1114
225	Waher F. Bolt	1	M6x5	L1713
226	Waher F. Bolt	4	M6x15	L1714
227	Hex. Bolt (M8x20)	4	S4 equiv.	L0761
228	Spr. Washer (M8)	4	S4 equiv.	L1512
229	Bolt (M8x20)	4	Steel	L1715
230	Spr. Washer (M8)	4	Steel	L1678
*231	Cap Bolt (M5x15)	1	S4 equiv.	L0757
232	Setscrew (M4x10)	1	S4 equiv.	L0756
235	Key (4x4x15)	1	Steel	L1121
236	O-Ring (P-7)	1	NBR	L1122
237	Oil Seal (12x25x7)	1	NBR	L0794
259	Motor Adapter	1	FC200	L1265
268	Ball Bearing	1	60/22ZZ	L1266
269	Belleville Spring	2		L1267
270	Cap Bolt (M5x30)	4	Steel	L1268
271	Gasket	1		L1527

\*Notes: (1) Item 40 (Adapter Bracket in FC200) is for "LK-F11" only.  
(2) Item 231 (Cap Bolt, M5x15) is to be quoted on request.

⚠ Subject to change without prior notice! ⚠ Actual pump may differ from the exploded view!