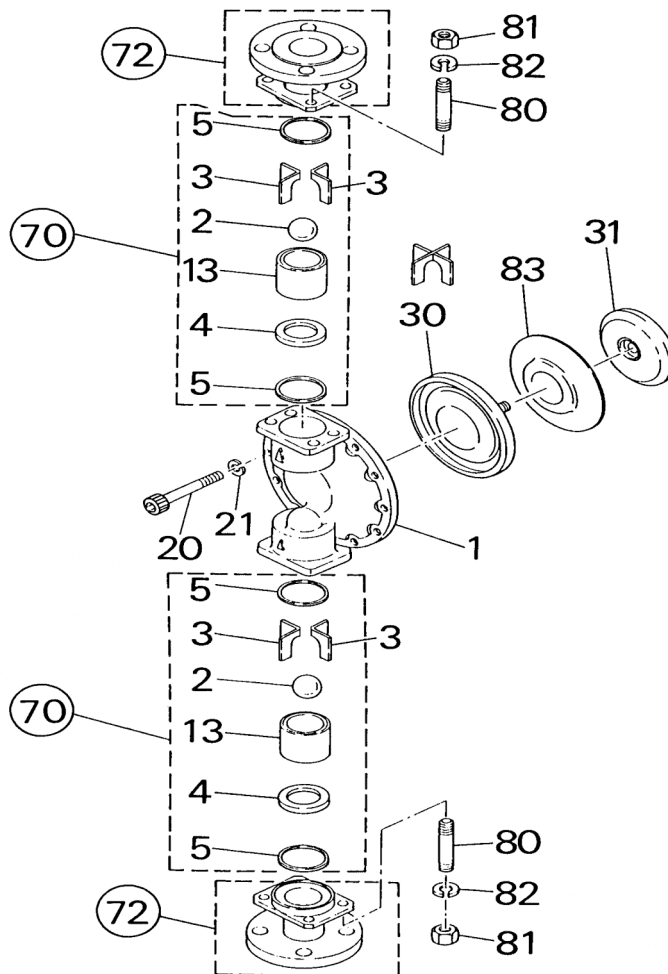


LK-65•75•76•86•87 *S4* (SUS304)

No. 85-061
Mar. 01, 2006



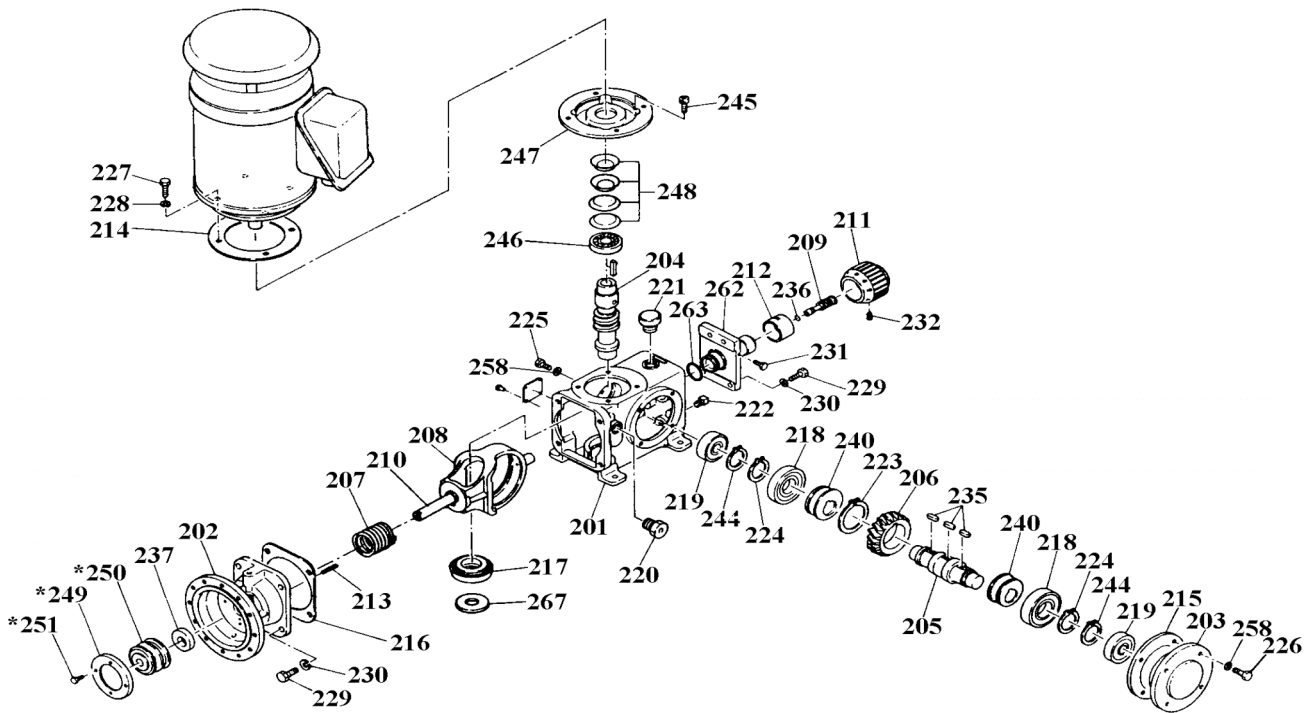
Item	Description	Q'ty	Remarks	LK-A•B65S4		LK-B75•C76S4		LK-C86•87S4	
				Part No.		Part No.		Part No.	
1	Pump Head	1	SCS13	L0651		L0685		L0710	
2	Valve Ball	2	SUS304	L0179		L0198		L0712	
3	Valve Guide	4	SUS304	L1179		L1180		L1181	
4	Valve Seat	2	SUS304	L0682		L0692		L0716	
5	Valve Gasket	4	PTFE	L0659		ï		L0718	
13	Valve Case	2	SUS304	L0670		L0700		L0725	
20	Bolt, M10x30•M12x30•M12x40	10	SUS304 equiv.	L1459		L1479		L1491	
21	Spring Washer, M10•M12	10	SUS304 equiv.	L0189		L0208		ï	
30	Diaphragm	1	PTFE (+EPDM)	L0191		L0210		L0729	
31	Retainer Plate	1	Steel	L1394		L1395		L1396	
70	Valve Set	2		L1162		L1163		L1164	
72	Flange Unit "DN40•50•65"	2	SUS304			* Please contact IWAKI for price.			
80	Stud Bolt, M12x63•M12x95	8	SUS304	L1461		ï		L1477	
81	Hex. Nut, M12	8	SUS304 equiv.	L1462		ï		ï	
82	Spring Washer, M12	8	SUS304 equiv.	L0208		ï		ï	
83	Rear Seat	1	PTFE	L0425		L0429		L0735	
*72	Flange Unit "JIS40•50•65"		SUS304	L1460		L1480		L1492	

Note: Item No. 72 marked with * (JIS) is an optional part.

⚠ Subject to change without prior notice! ⚠ Actual pump may differ from the exploded view!

LK-A *Drive Unit*

No. 85-068
Mar. 01, 2006



Item	Description	Q'ty	Remark	Part No.
201	Case	1	FC200	L1274
202	Bracket Assembly (FC200) *See Note	1	LK-A5()	L1363
		1	LK-A6()	L1364
203	Bearing Holder	1	ADC12	L1283
204	Worm (Steel)	1	LK-A()3•5	L1285
		1	LK-A54•57	L1286
205	Worm Wheel Shaft	1	Steel	L1289
206	Worm Wheel (Al.+B. Casting)	1	LK-A()3•5	L1293
		1	LK-A54•57	L1294
207	Spring	1	Steel	L1298
208	Slider	1	FCD400	L1301
209	SL Control Shaft (Steel)	1	LK-A5()	L1303
		1	LK-A6()	L1304
210	Pump Shaft (Steel)	1	LK-A5()	L1308
		1	LK-A6()	L1309
211	Dial	1	GFRPP	L1314
212	Stroke Length Scale (ABS)	1	LK-A5()	L1315
		1	LK-A6()	L1320
213	Spring Pin (6x80)	1	Steel	L1321
214	Gasket A	1		L1527
215	Gasket B	1		L1528
216	Gasket C	1		L1529
217	Roller Bearing	1	4T-30204	L1328
218	Ball Bearing	2	6012	L1331
219	Ball Bearing	2	6205	L1333
220	Oil Gauge (3/4")	1	with O-Ring	L1335
221	Oil Cap (3/8")	1	PP	L1400
222	Plug	1		L1337

*Note: "Bracket Assembly" is equipped with Spring Pin (Item 213) and Oil Seal (Item 237).

Item	Description	Q'ty	Remark	Part No.
223	Retaining Ring	1	Steel	L1338
224	Retaining Ring	2	Steel	L1115
225	Hex. Bolt (M8x10)	1	Steel	L1342
226	Hex. Bolt (M8x20)	4	Steel	L0758
227	Hex. Bolt (M8x25)	4	Steel	L1345
228	Spr. Washer (M8)	4	Steel	L0271
229	Hex. Bolt (M10x30)	8	Steel	L1347
230	Spr. Washer (M10)	8	Steel	L0427
231	Cap Bolt (M6x25)	1	SUS304 eq.	L1349
232	Setscrew (M6x10)	2	SUS304 eq.	L1350
235	Key (7x7x22)	3	Steel	L1354
236	O-Ring (P-9)	1	NBR	L0865
237	Oil Seal (18x35x11)	1	NBR	L1356
240	Eccentric Cam (Steel)	2	LK-A5()	L1370
		2	LK-A6()	L1371
244	Retaining Ring	2	Steel	L1340
245	Cap Bolt (M8x12)	4	Steel	L1397
246	Ball Bearing	1	6005ZZ	L1383
247	Housing	1	FC200	L1398
248	Bellville Spring	4	Steel	L1386
*249	Retainer (GFRPP)	1	*LK-A6()	L1359
*250	Seal Bellows (CR)	1	*LK-A6()	L1361
*251	Cap Bolt (M5x10)	4	*LK-A6()	L1360
258	Seal Washer (M8)	5	NBR	L1375
262	Control Case (FC200)	1	LK-A5()	L1378
		1	LK-A6()	L1379
263	O-Ring (G-40)	1	NBR	L1377
267	Bearing Spacer	1	Steel	

Note: Items 249, 250 & 251 marked with * are required for LK-A6() only.

△ Subject to change without prior notice! △ Actual pump may differ from the exploded view!