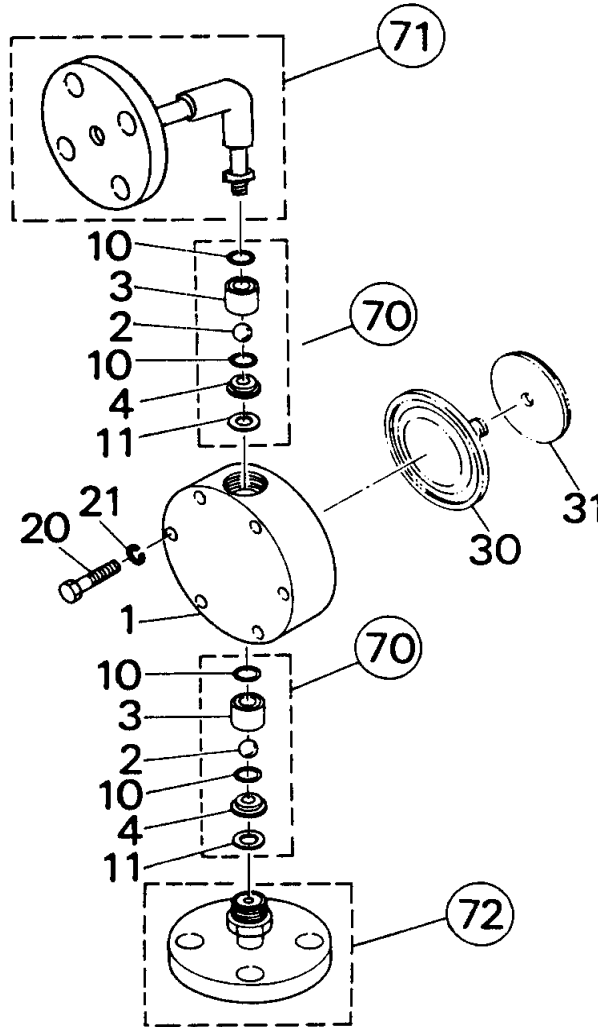


# LK-F11•21•22•31•32 \*S6\* (SUS316)

No. LKF123S6001  
Aug. 1st, 2019



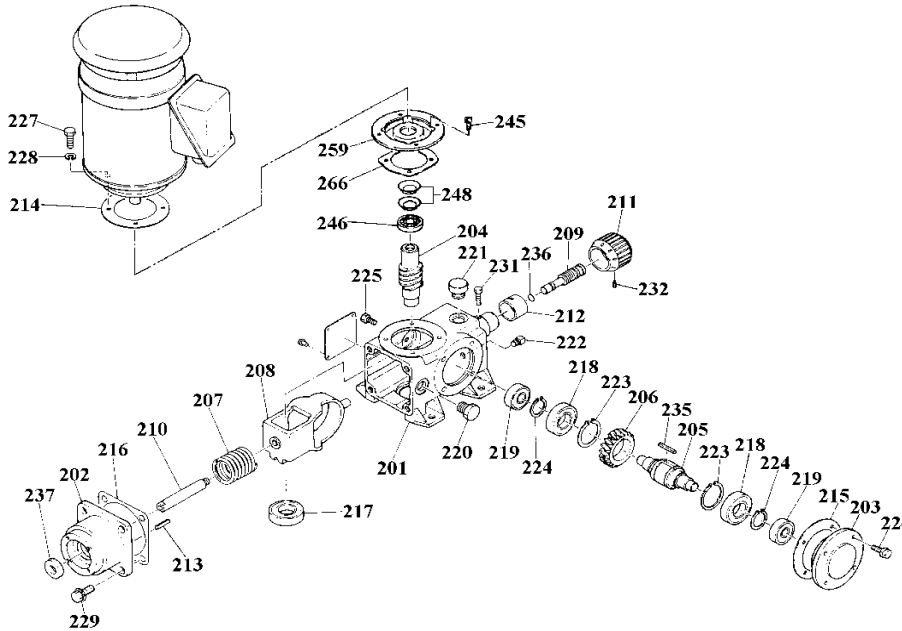
Item	Description	Q'ty	Remarks	LK-F11S6	LK-F21•22S6	LK-F31•32S6	
				Part No.	Part No.	Part No.	
1	<b>Pump Head</b>	1	SUS316	L1195	L1200	L1204	
2	<b>Valve Ball</b>	2	Hastelloy C	L0002	L0032	EH0126	
3	<b>Valve Guide</b>	2	SUS316	L1196	L1201	L1205	
4	<b>Valve Seat</b>	2	SUS316	L1197	L1202	L1206	
10	<b>Valve Gasket A</b>	4	PTFE	L0777	⇐	EH0382	
11	<b>Valve Gasket B</b>	2	PTFE	L0221	⇐	EH0380	
20	<b>Bolt,</b>	4•4	SUS304 equiv.	L0222	L1177	L0246	
21	<b>Spring Washer, M4•M5</b>	4•4	SUS304 equiv.	L0018	L0048	⇐	
30	<b>Diaphragm</b>	1	PTFE	L0020	L0050	L1719	
31	<b>Retainer Plate</b>	1	SUS304	L0021	L0051	L0081	
70	<b>Valve Set</b>	2		L1198	L1203	L1207	
* 71	<b>Flange Unit (Elbow) "DN 15"</b>	1	SUS316	L1404	⇐	L1406	
* 72	<b>Flange Unit (Straight) "DN"</b>	1	SUS316	L1403	⇐	L1405	
**	*71 <b>Flange Unit (Elbow) "JIS 15"</b>		SUS316	L1269	* Please contact IWAKI.		L1270
**	*72 <b>Flange Unit (Straight) "JIS"</b>		SUS316	L1199	⇐		L1208

Note: Items Nos. 71 and 72 marked with \* (JIS) are optional parts.

△ Subject to change without prior notice! △ Actual pump may differ from the exploded view!

# LK-F \*Drive Unit\*

No. LKFDRIVE001  
Aug. 1st, 2019



Item	Description	Q'ty	Remark	Part No.
201	Case (ADC12)	1	LK-F11	L1601
		1	LK-F2•4•5	L1602
		1	LK-F3( )	L1603
202	Bracket Assembly FC200 (202, 213, 237)	1	LK-F11	L1128
		1	LK-F2( )	L1129
		1	LK-F3( )	L1130
		1	LK-F4( )	L1131
		1	LK-F5( )	L1132
203	Bearing Holder	1	ADC12	L1608
204	Worm (Steel)	1	LK-F( )1•5	L1263
		1	LK-F( )2•7	L1264
205	Worm Wheel Shaft (Steel)	1	LK-F11	L1133
		1	LK-F2( )	L1134
		1	LK-F3( )	L1135
		1	LK-F4( )	L1136
		1	LK-F5( )	L1137
206	Worm Wheel (Al.+B. Casting)	1	LK-F( )1•5	L1103
		1	LK-F( )2•7	L1104
207	Spring	1	Steel	L1146
208	Slider	1	Steel	L1105
209	SL Control Shaft (Steel)	1	LK-F11	L1710
		1	LK-F2•4•5	L1711
		1	LK-F3( )	L1712
210	Pump Shaft (Steel)	1	LK-F1•2	L1138
		1	LK-F3( )	L1139
		1	LK-F4( )	L1140
		1	LK-F5( )	L1141
211	Dial with Spring Pin (211, 232) GFRPP	1	LK-F1•2•3	L1415
		1	LK-F4( )	L1416
		1	LK-F5( )	L1417

Item	Description	Q'ty	Remark	Part No.
212	Stroke Length Scale (ABS)	1	LK-F11	L0754
		1	LK-F2•3	L0980
		1	LK-F4( )	L0982
		1	LK-F5( )	L0983
213	Spring Pin (4x40)	1	Steel	L1106
214	Gasket A	1		L1527
215	Gasket B	1		L1525
216	Gasket C	1		L1526
217	Ball Bearing	1	4T-30203	L1112
218	Ball Bearing	2	16004	L1111
219	Ball Bearing	2	6201	L1110
220	Oil Gauge (3/8")	1	with O-Ring	L0752
221	Oil Cap (3/8")	1	PP	L1400
222	Plug	1	SUS304	L1113
223	Retaining Ring S-30	2	Steel	L1114
224	Retaining Ring S-20	2	Steel	L1115
225	Waher Faced Bolt	1	M6x5	L1713
226	Waher Faced Bolt	4	M6x15	L1714
227	Hex. Bolt (M8x20)	4	SUS304	L0761
228	Spr. Washer (M8)	4	SUS304	L1512
229	Bolt w/SW(M8x20)	4	Steel	L1715
230	Spr. Washer (M8)	4	Steel	L1678
231	Cap bolt (M8x20)	1	SUS304 eq.	L0757
232	Setscrew (M4x10)	1	SUS304 eq.	L0756
235	Key (4x4x15)	1	Steel	L1121
236	O-Ring (P-7)	1	NBR	L1122
237	Oil Seal (12x25x7)	1	NBR	L0794
245	Cap Bolt (M5x30)	4	Steel	L1268
246	Bearing	1	60/22ZZ	L1266
248	Bellville Spring	2	Steel	L1267
259	Motor Adapter	1	FC200	L1265
266	Gasket D	1		L1524

ⓂSubject to change without prior notice! ⓂActual pump may differ from the exploded view!