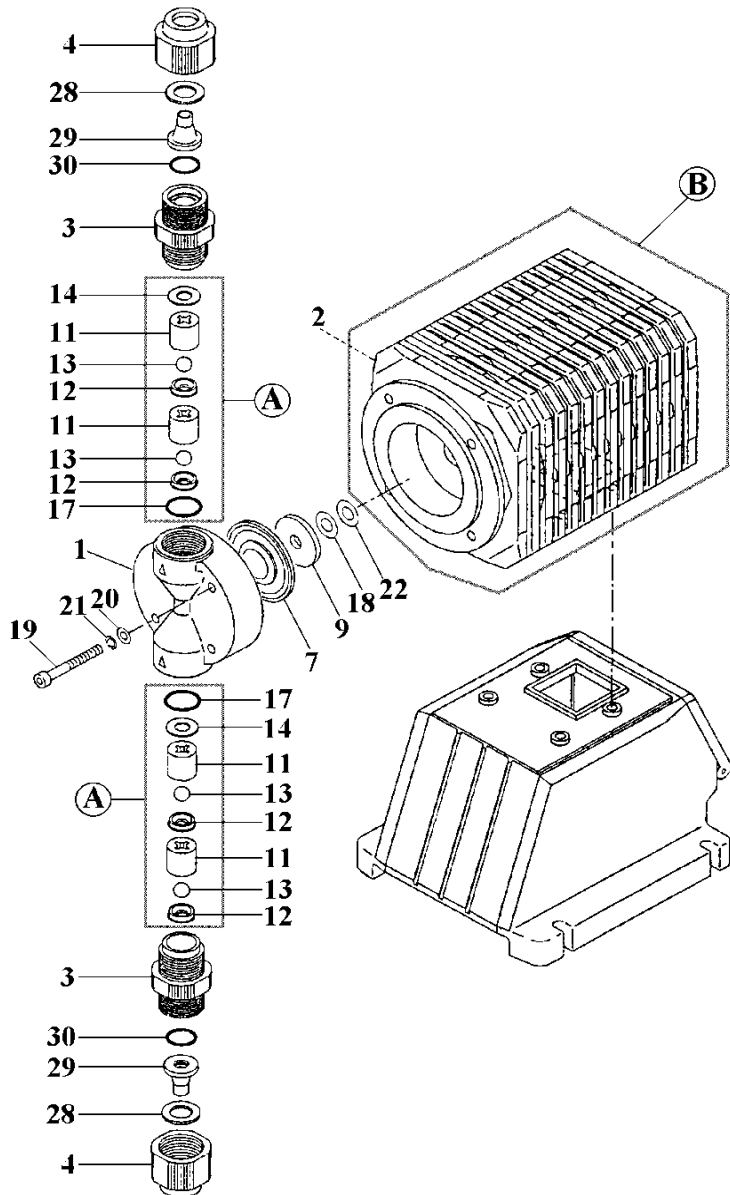


# EH-E31•E36-PC\* (GFRPP)

No. 97-004  
May 01, 2020



Item	Description	Remark	Q'ty	EH-E31		EH-E36	
				Part No.		Part No.	
1	Pump Head	GFRPP	1	EH2102		E0233	
2	Bracket	GFRPPE	1	EH1742		EH1743	
3	Fitting	GFRPP	2	EH0675		↔	
4	Fitting Nut	GFRPP	2	E0318		↔	
7	Diaphragm	PTFE	1	EH2105		EH2108	
9	Diaphragm Retainer	Steel	1	EH0622		EH0637	
11	Valve Guide	GFRPP	4	E0246		↔	
12	Valve Seat	FKM-A	4	E0207		↔	
13	Valve Ball	Ceramic	4	E0213		↔	
14	Valve Gasket	PTFE	2	E0216		↔	
17	O-Ring, P-16	FKM-A	2	E0219		↔	
*18	Diaphragm Spacer	t: 0,2mm	Brass	*	EH0625		↔
		t: 0,3mm	Brass	*	EH0626		↔
		t: 0,5mm	Brass	*	EH0627		↔
		t: 0,7mm	Brass	*	E0036		↔
19	Hex. Socket Cap Bolt	M5x40	SUS316L	4	EH2106		↔
20	Plate Washer	M5	SUS316	4	E0127		↔
21	Spring Washer	M5	SUS316L	4	E0129		↔
22	Diaphragm Seal		EPDM	1	EH1861		↔
28	Hose Stopper (5)	9x12mm	SUS304	2	E0332		↔
29	Fitting Spacer (5)	9x12mm	GFRPP	2	E0333		↔
30	O-Ring, P-12		FKM-A	2	E0334		↔
B	Drive Unit (20E)			1	EH1755		EH1758
*	Control Unit [AC220~240V] "EHC-20EPE"			1	EH1751		↔
A	Valve Set	PC		2	E0499		↔
	*Wet End Set	PC-5	9x12mm	1	EH3038		EH3040

- \*Notes: 1) Item 18: None or one or more spacers is required for a pump.  
2) "Control Unit" is not illustrated.  
3) "Wet End" consists of Item 1+3+4+28+29+30+A.

△ Subject to change without prior notice! △ Actual pump may differ from the exploded view!