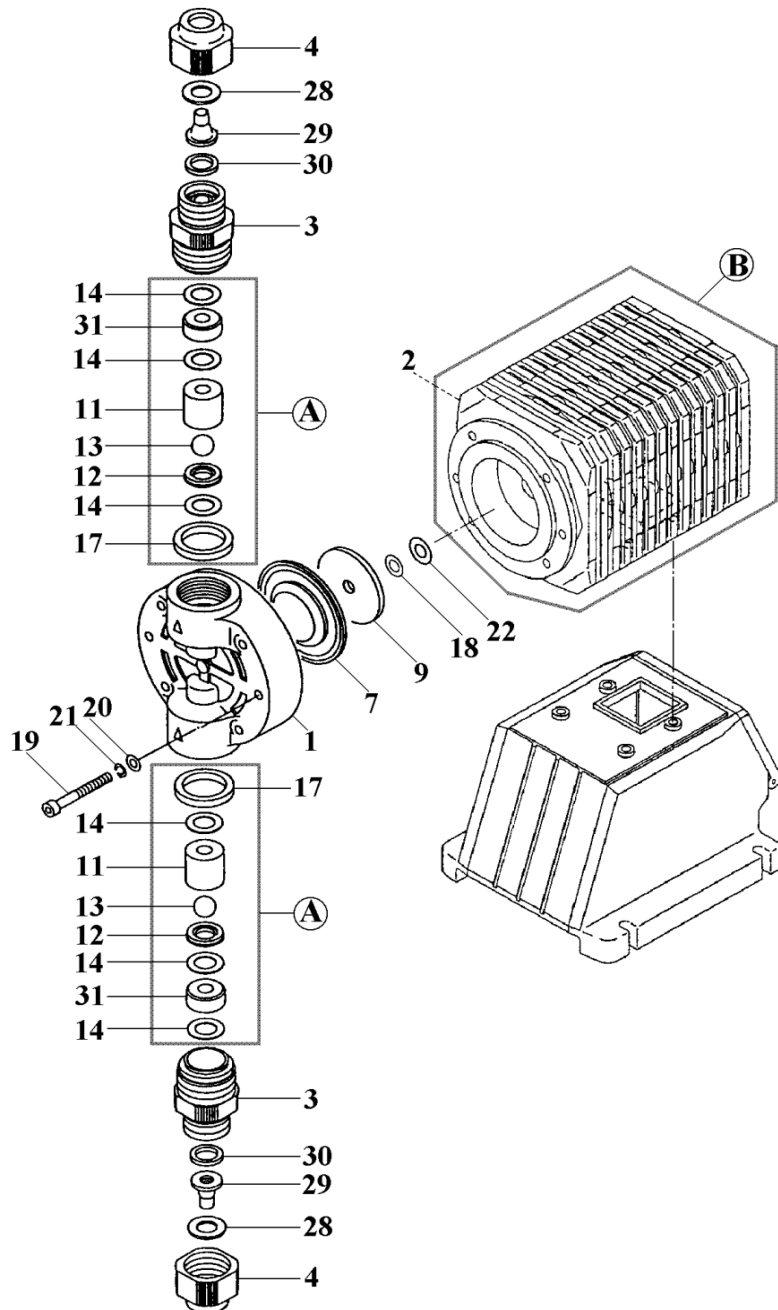


# EH-E46-\*FC\* (PVDF)

No. 97-008  
May 01, 2020



Item	Description	Remark	Q'ty	Part No.	
1	Pump Head	PVDF	1	EH2111	
2	Bracket	GFRPPE	1	EH1744	
3	Fitting	PVDF	2	EH0932	
4	Fitting Nut	PVDF	2	EH0933	
7	Diaphragm	PTFE	1	EH2113	
9	Diaphragm Retainer	Steel	1	EH0642	
11	Valve Guide	PVDF	2	EH0934	
12	Valve Seat	PCTFE	2	EH0935	
13	Valve Ball	Ceramic	2	E0324	
14	Valve Gasket	PTFE	6	EH0936	
17	Gasket	PTFE	2	EH0941	
*18	Diaphragm Spacer	t: 0,2 mm	Brass	*	EH0625
		t: 0,3 mm	Brass	*	EH0626
		t: 0,5 mm	Brass	*	EH0627
		t: 0,7 mm	Brass	*	E0036
19	Hex. Socket Cap Bolt	M5x40	SUS316L	6	EH2106
20	Plate Washer	M5	SUS316	6	E0127
21	Spring Washer	M5	SUS316L	6	E0129
22	Diaphragm Seal	EPDM	1	EH1861	
28	Hose Stopper (6)	10x12mm	SUS304	2	E0332
29	Fitting Spacer (6)	10x12mm	PVDF	2	EH0937
30	Gasket	PTFE	2	EH0939	
31	Valve Spacer	PVDF	2	EH0940	
B	Drive Unit (20E)		1	EH1761	
*	Control Unit [AC220~240V] "EHC-20EPE"		1	EH1751	
A	Valve Set		2	EH0930	
*Wet End Set		FC-6	10x12mm	1	EH3047

- \*Notes: 1) Item 18: None or one or more spacers is required for a pump.  
2) "Control Unit" is not illustrated.  
3) "Wet End" consists of Item 1+3+4+28+29+30+A.

⚠ Subject to change without prior notice! ⚠ Actual pump may differ from the exploded view!