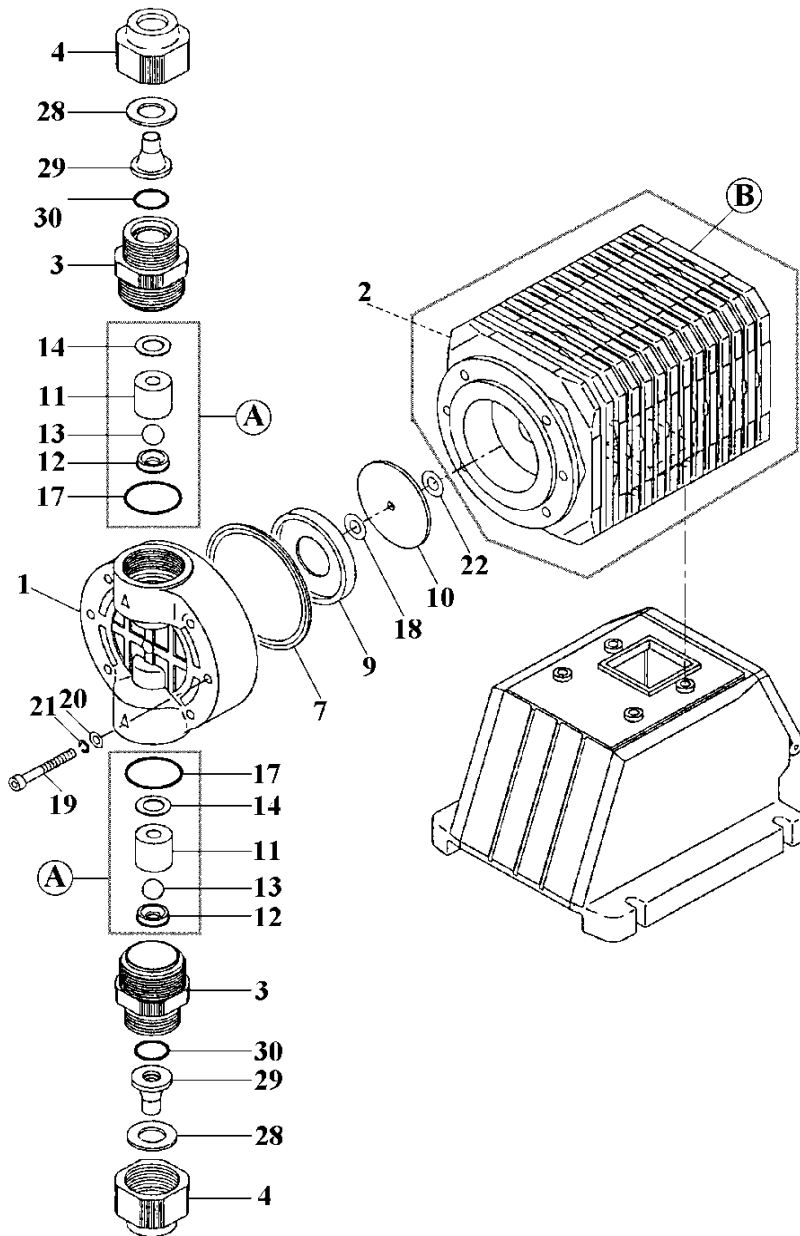


# EH-E56-\*PC\* (GFRPP)

No. 97-006  
May 01, 2020



Item	Description	Remark	Q'ty	Part No.	
1	Pump Head	GFRPP	1	EH2115	
2	Bracket	GFRPPE	1	EH1745	
3	Fitting	GFRPP	2	EH0685	
4	Fitting Nut	GFRPP	2	EH0686	
7	Diaphragm	PTFE	1	EH2119	
9	Diaphragm Retainer	PPS	1	EH0660	
10	Backup Retainer	Steel	1	EH0659	
11	Valve Guide	GFRPP	2	EH0718	
12	Valve Seat	FKM-A	2	EH2242	
13	Valve Ball	Ceramic	2	EH0664	
14	Valve Gasket	PTFE	2	EH0666	
17	O-Ring, $\varnothing 29,8 \times \varnothing 2,62$ (mm)	FKM-A	2	EH0667	
*18	Diaphragm Spacer	t: 0,2mm	Brass	*	EH0625
		t: 0,3mm	Brass	*	EH0626
		t: 0,5mm	Brass	*	EH0627
		t: 0,7mm	Brass	*	E0036
19	Hex. Socket Cap Bolt	M5x55	S6 equiv.	6	EH2054
20	Plate Washer	M5	SUS316	6	E0127
21	Spring Washer	M5	SUS316L	6	E0129
22	Diaphragm Seal		EPDM	1	EH1861
28	Hose Stopper	9x12mm	SUS304	2	EH0715
29	Fitting Spacer	9x12mm	GFRPP	2	EH0717
30	O-Ring, P-16		FKM-A	2	E0219
B	Drive Unit (20E)			1	EH1764
*	Control Unit [AC220~240V] "EHC-20EPE"			1	EH1751
A	Valve Set	PC		2	EH2247
	*Wet End Set	PC-5	9x12mm	1	EH3044

- \*Notes: 1) Item 18: None or one or more spacers is required for a pump.  
2) "Control Unit" is not illustrated.  
3) "Wet End" consists of Item 1+3+4+28+29+30+A.

⚠ Subject to change without prior notice! ⚠ Actual pump may differ from the exploded view!