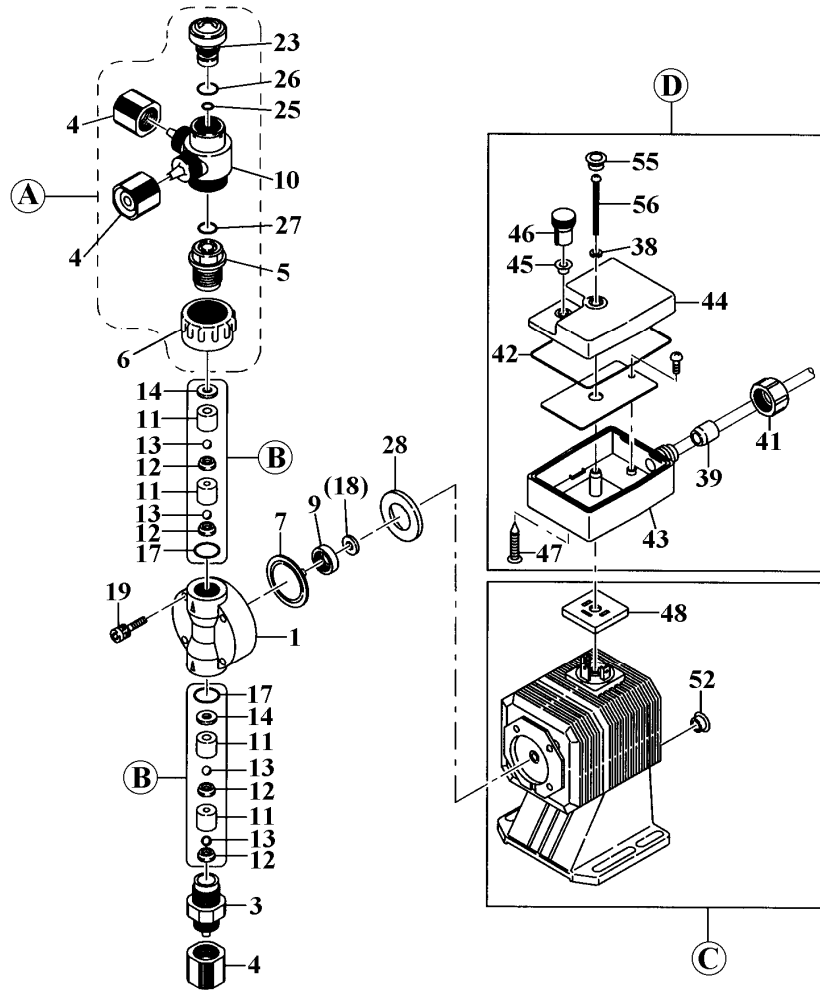


# ES-C16-V (PVC)

No. 82-017  
Aug. 01, 2008



Item	Description	Q'ty	Material	Part No.	
1	<b>Pump Head</b>	1	PVC	<b>EH1950</b>	
3	<b>Fitting (4x6mm)</b>	1	PVC	<b>EH0016</b>	
4	<b>Fitting Nut (4x6 " )</b>	3	PVC	<b>EH0017</b>	
5	<b>Air Vent Body 'B'</b>	1	PVC	<b>EH0294</b>	
6	<b>Lock Nut</b>	1	PVC	<b>EH0295</b>	
7	<b>Diaphragm</b>	1	PTFE	<b>EH1972</b>	
9	<b>Retainer</b>	1	PPS	<b>EH0083</b>	
10	<b>Air Vent Body 'A'</b>	1	PVC	<b>EH0434</b>	
11	<b>Valve Guide</b>	4	PVC	<b>EH0068</b>	
12	<b>Valve Seat (VC)</b>	4	FKM-A	<b>EH0069</b>	
13	<b>Valve Ball (VC)</b>	4	Ceramic	<b>EH0084</b>	
14	<b>Valve Gasket</b>	2	PTFE	<b>EH0026</b>	
17	<b>O-Ring, S-14 (VC)</b>	2	FKM-A	<b>EH0027</b>	
*18	<b>Spacer</b>	t: 0,1 mm	*	Brass	<b>EH1206</b>
		t: 0,2 mm	*	Brass	<b>EH0030</b>
		t: 0,3 mm	*	Brass	<b>EH0036</b>
		t: 0,5 mm	*	Brass	<b>EH0037</b>
		t: 0,7 mm	*	Brass	<b>EH0279</b>
19	<b>Cap Bolt, M4x35</b>	4	SUS316L	<b>EH1986</b>	
23	<b>Adjusting Screw</b>	1	PVC	<b>EH0299</b>	
25	<b>O-Ring, P-4 (VC)</b>	1	FKM-A	<b>EH0300</b>	
26	<b>O-Ring, P-10A (VC)</b>	1	FKM-A	<b>EH0302</b>	
27	<b>O-Ring, P-7 (VC)</b>	1	FKM-A	<b>EH0304</b>	
A	<b>Air Vent Valve Set</b>	1	AV-VC-2	<b>EH0436</b>	
B	<b>Valve Set</b>	2	VC	<b>EH0070</b>	

Item	Description	Q'ty	Material	Part No.
28	<b>Bracket Spacer</b>	1	PPE	<b>EH1431</b>
38	<b>Gasket</b>	1	EPDM	<b>EH0261</b>
39	<b>Cord Gasket E</b>	1	NBR	<b>EH0267</b>
41	<b>Cord Nut</b>	1	POM	<b>EH0205</b>
42	<b>Case Gasket</b>	1	NBR	<b>EH0555</b>
43	<b>Control Unit Case</b>	1	PPE	<b>EH0556</b>
44	<b>Control Unit Cover</b>	1	PPE	<b>EH0553</b>
45	<b>SF Gasket</b>	1	EPDM	<b>EH0258</b>
46	<b>SF Knob</b>	1	PE	<b>EH0552</b>
47	<b>Screw, 4x25</b>	1	S4 equiv.	<b>EH0269</b>
48	<b>Terminal Gasket</b>	1	NBR	<b>EH1693</b>
52	<b>Plug</b>	4	EPDM	<b>EH2243</b>
55	<b>Cap Gasket</b>	1	EPDM	<b>EH0289</b>
56	<b>Screw, M3x35</b>	1	S4 equiv.	<b>EH0241</b>
C	<b>Drive Unit [AC230V]</b>	1		<b>EH2049</b>
D	<b>Control Unit [ " ]</b>	1		<b>EH2050</b>

<Optional Parts for "VH" Type>

12	<b>Valve Seat (VH)</b>	4	EPDM	<b>EH0071</b>
13	<b>Valve Ball (VH)</b>	4	H.C276	<b>EH0072</b>
17	<b>O-Ring, S-14 (VH)</b>	2	EPDM	<b>EH0050</b>
25	<b>O-Ring, P-4 (VH)</b>	1	EPDM	<b>EH0301</b>
26	<b>O-Ring, P-10A (VH)</b>	1	EPDM	<b>EH0303</b>
27	<b>O-Ring, P-7 (VH)</b>	1	EPDM	<b>EH0305</b>
A	<b>Air Vent Valve Set</b>	1	AV-VH-2	<b>EH0440</b>
B	<b>Valve Set</b>	2	VH	<b>EH0073</b>

\*Note: <Item 18> None or one or more spacers is required for a pump.

⚠ Subject to change without prior notice! ⚠ Actual pump may differ from the exploded view!