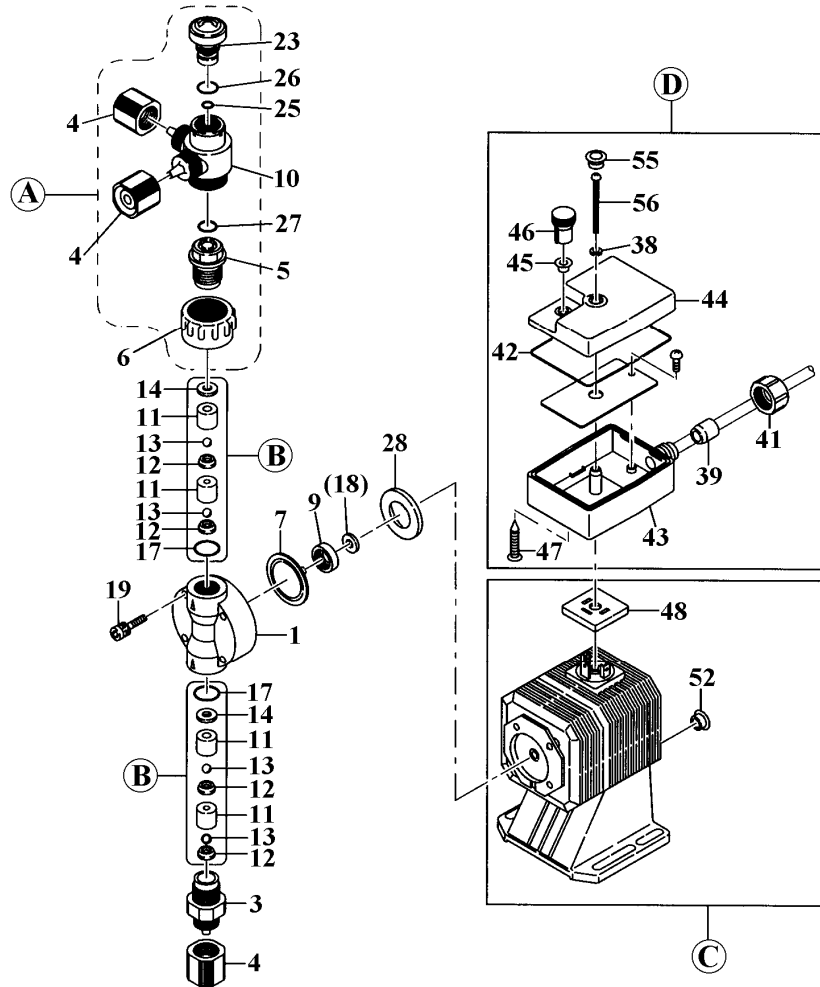


ES-C21-V (PVC)

No. 82-018
Aug. 01, 2008



Item	Description	Q'ty	Material	Part No.	
1	Pump Head	1	PVC	EH1951	
3	Fitting (4x6mm)	1	PVC	EH0016	
4	Fitting Nut (4x6 ")	3	PVC	EH0017	
5	Air Vent Body 'B'	1	PVC	EH0294	
6	Lock Nut	1	PVC	EH0295	
7	Diaphragm	1	PTFE	EH1973	
9	Retainer	1	PPS	EH0067	
10	Air Vent Body 'A'	1	PVC	EH0434	
11	Valve Guide	4	PVC	EH0068	
12	Valve Seat (VC)	4	FKM-A	EH0069	
13	Valve Ball (VC)	4	Ceramic	EH0084	
14	Valve Gasket	2	PTFE	EH0026	
17	O-Ring, S-14 (VC)	2	FKM-A	EH0027	
*18	Spacer	t: 0,1 mm	*	Brass	EH1206
		t: 0,2 mm	*	Brass	EH0030
		t: 0,3 mm	*	Brass	EH0036
		t: 0,5 mm	*	Brass	EH0037
		t: 0,7 mm	*	Brass	EH0279
19	Cap Bolt, M4x35	4	SUS316L	EH1986	
23	Adjusting Screw	1	PVC	EH0299	
25	O-Ring, P-4 (VC)	1	FKM-A	EH0300	
26	O-Ring, P-10A (VC)	1	FKM-A	EH0302	
27	O-Ring, P-7 (VC)	1	FKM-A	EH0304	
A	Air Vent Valve Set	1	AV-VC-2	EH0436	
B	Valve Set	2	VC	EH0070	

Item	Description	Q'ty	Material	Part No.
28	Bracket Spacer	1	GFRPPE	EH1700
38	Gasket	1	EPDM	EH0261
39	Cord Gasket E	1	NBR	EH0267
41	Cord Nut	1	POM	EH0205
42	Case Gasket	1	NBR	EH0555
43	Control Unit Case	1	PPE	EH0556
44	Control Unit Cover	1	PPE	EH0553
45	SF Gasket	1	EPDM	EH0258
46	SF Knob	1	PE	EH0552
47	Screw, 4x25	1	S4 equiv.	EH0269
48	Terminal Gasket	1	NBR	EH1693
52	Plug	4	EPDM	EH2243
55	Cap Gasket	1	EPDM	EH0289
56	Screw, M3x35	1	S4 equiv.	EH0241
C	Drive Unit [AC230V]	1		EH2049
D	Control Unit ["]	1		EH2050

<Optional Parts for "VH" Type>

12	Valve Seat (VH)	4	EPDM	EH0071
13	Valve Ball (VH)	4	H.C276	EH0072
17	O-Ring, S-14 (VH)	2	EPDM	EH0050
25	O-Ring, P-4 (VH)	1	EPDM	EH0301
26	O-Ring, P-10A (VH)	1	EPDM	EH0303
27	O-Ring, P-7 (VH)	1	EPDM	EH0305
A	Air Vent Valve Set	1	AV-VH-2	EH0440
B	Valve Set	2	VH	EH0073

*Note: <Item 18> None or one or more spacers is required for a pump.

⚠ Subject to change without prior notice! ⚠ Actual pump may differ from the exploded view!