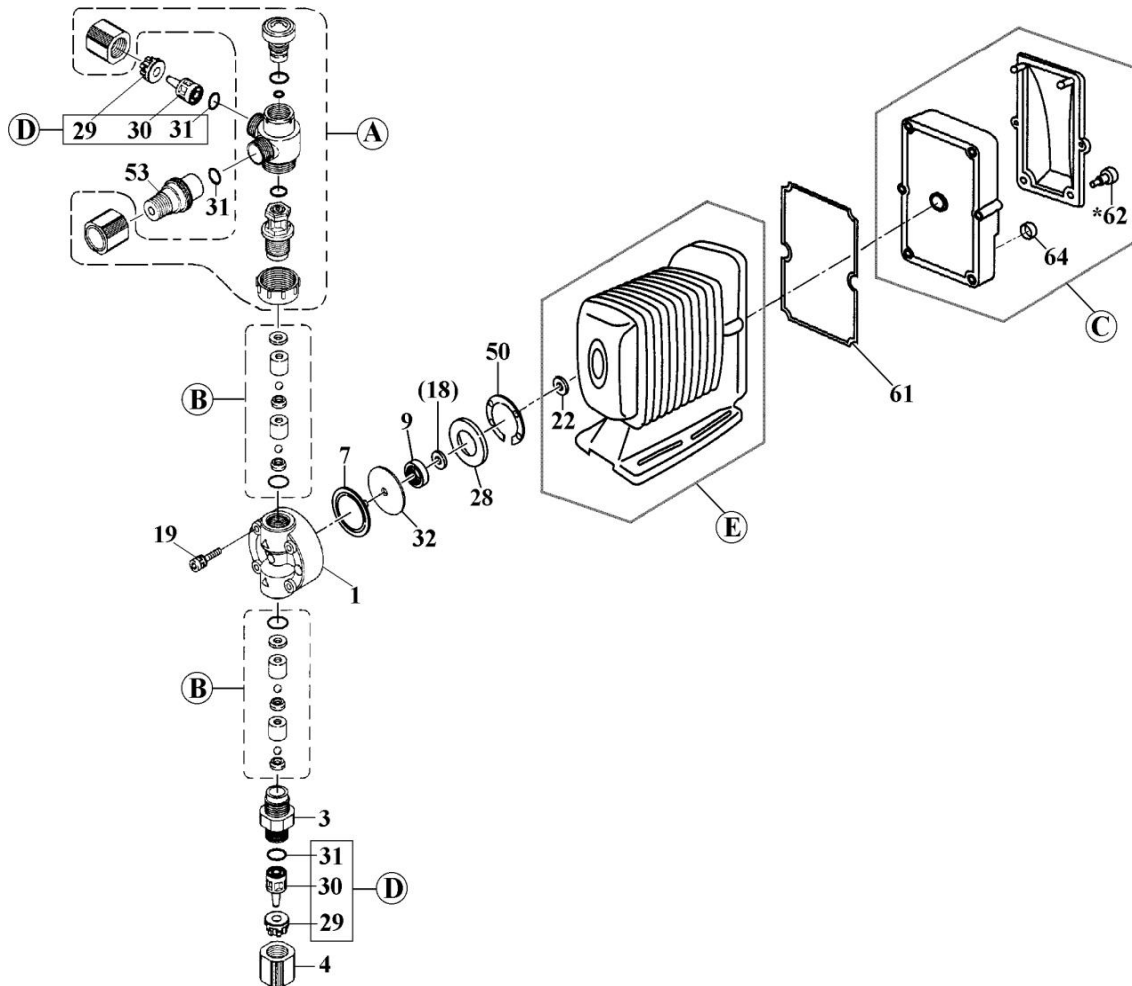


EWN-B11•C16-P-H <GFRPP>

No. 92-059
Mar. 01, 2020



Item	Description	Q'ty	Material	Part No.
1	Pump Head	"B11"	1 GFRPP	E0310
		"C16"	1 GFRPP	E0230
3	Fitting	1	GFRPP	E0234
4	Fitting Nut	1	GFRPP	E0238
7	Diaphragm	"B11"	1 PTFE	E0021
		"C16"	1 PTFE	E0022
9	Diaphragm Retainer	"B11"	1 SUS304	E0122
		"C16"	1 SUS304	E0123
*18	Spacer	t:0,1mm	* Brass	E0031
		t:0,2mm	* Brass	E0033
		t:0,3mm	* Brass	E0034
		t:0,5mm	* Brass	E0035
		t:0,7mm	* Brass	E0036
19	Cap Bolt (M4x35)	4	SUS316L	E0037
22	Diaphragm Seal	1	EPDM	E0543
28	Bracket Spacer	"B11"	1 GFRPPE	E0039
		"C16"	1 PPE	E0040
29	Hose Stopper (4x6)	2	GFRPPS	E0042
30	Hose Adaptor (4x6)	2	GFRPP	E0096
31	O-Ring P-9	PC	3 FKM-A	E0046
		PH	3 EPDM	E0047
32	Rear Diaph. Sheet	1	PTFE	E0130

Item	Description	Q'ty	Remark	Part No.	
50	Pump Head Gasket	1	EPDM	E0048	
53	Fitting Adaptor (R $\frac{1}{4}$)	1	PP	E0158	
61	Controller Gasket	1	EPDM	E0073	
*62	Thumb Bolt	2	PPE	E0066	
64	Cap (DIN Connector)	2	EPDM	E0069	
A	Air Vent Valve Set	1	PC-(H)	E0460	
		1	PH-(H)	E0461	
B	Valve Set	"B11"	2	PC-(H)	E0497
			2	PH-(H)	E0496
		"C16"	2	PC-H	E0509
			2	PH-H	E0508
C	Control Unit	"B11"	1	BER-H	E0481
		"C16"	1	CER-H	E0482
		"B11"	1	BEY-H	E0590
		"C16"	1	CEY-H	E0591
D	Connector Set [29+30+31] (4x6mm)	2	PC-(H)	E0525	
		2	PH-(H)	E0526	
E	Drive Unit	"B11"	1	E0439	
		"C16"	1	E0441	
Wet End Set <1+3+4+A+B>		"B11"	1	PC-H	E0147
		"B11"	1	PH-H	E0148
		"C16"	1	PC-H	E0149
		"C16"	1	PH-H	E0150

*Note: "Spacer" (Item 18) ⇒ None or one or more spacers is required for a pump.

⚠ Subject to change without prior notice! ⚠ Actual pump may differ from the exploded view!