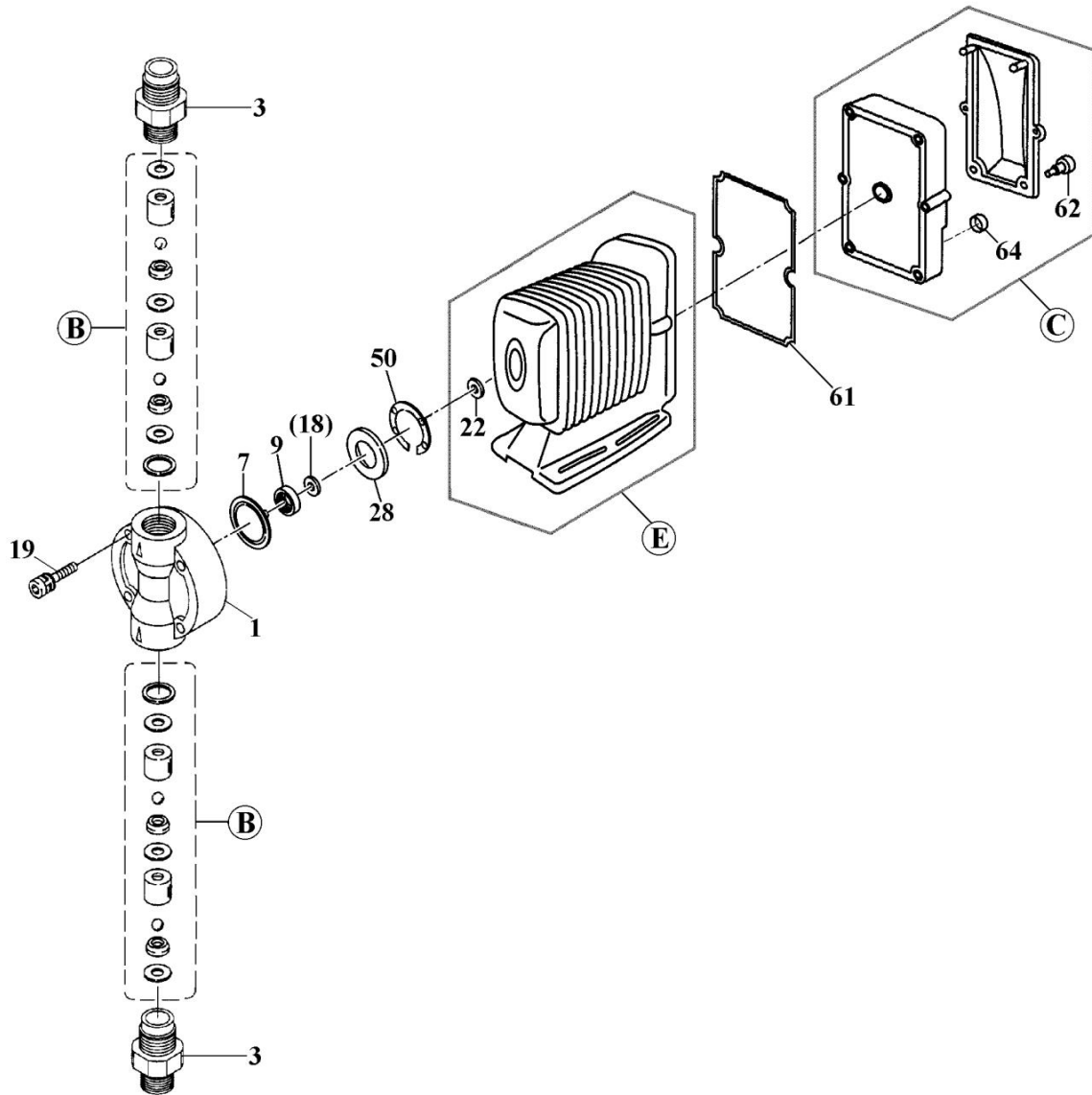


EWN-B11-FC <PVDF>

No. 92-061
Mar. 01, 2020



Item	Description	Q'ty	Material	Part No.	
1	Pump Head	1	PVDF	E0250	
3	Fitting (Rc1/4)	2	PVDF	E0259	
7	Diaphragm	1	PTFE	E0021	
9	Diaph. Retainer	1	PPS	E0026	
*18	Spacer	t:0,1mm	*	Brass	E0031
		t:0,2mm	*	Brass	E0033
		t:0,3mm	*	Brass	E0034
		t:0,5mm	*	Brass	E0035
		t:0,7mm	*	Brass	E0036
19	Cap Bolt (M4x35)	4	SUS316L	E0037	

Item	Description	Q'ty	Remark	Part No.
22	Diaphragm Seal	1	EPDM	E0543
28	Bracket Spacer	1	GFRPPE	E0039
50	Pump Head Gasket	1	EPDM	E0048
61	Controller Gasket	1	EPDM	E0073
62	Thumb Bolt	2	PPE	E0066
64	Cap (DIN Connector)	2	EPDM	E0069
B	Valve Set	2		E0512
C	Control Unit	1	BER	E0057
		1	BEY	E0588
E	Drive Unit	1		E0439
	Wet End Set <1+3+B>	1		E0103

*Note: "Spacer" (Item 18) ⇒ None or one or more spacers is required for a pump.

△ Subject to change without prior notice! △ Actual pump may differ from the exploded view!