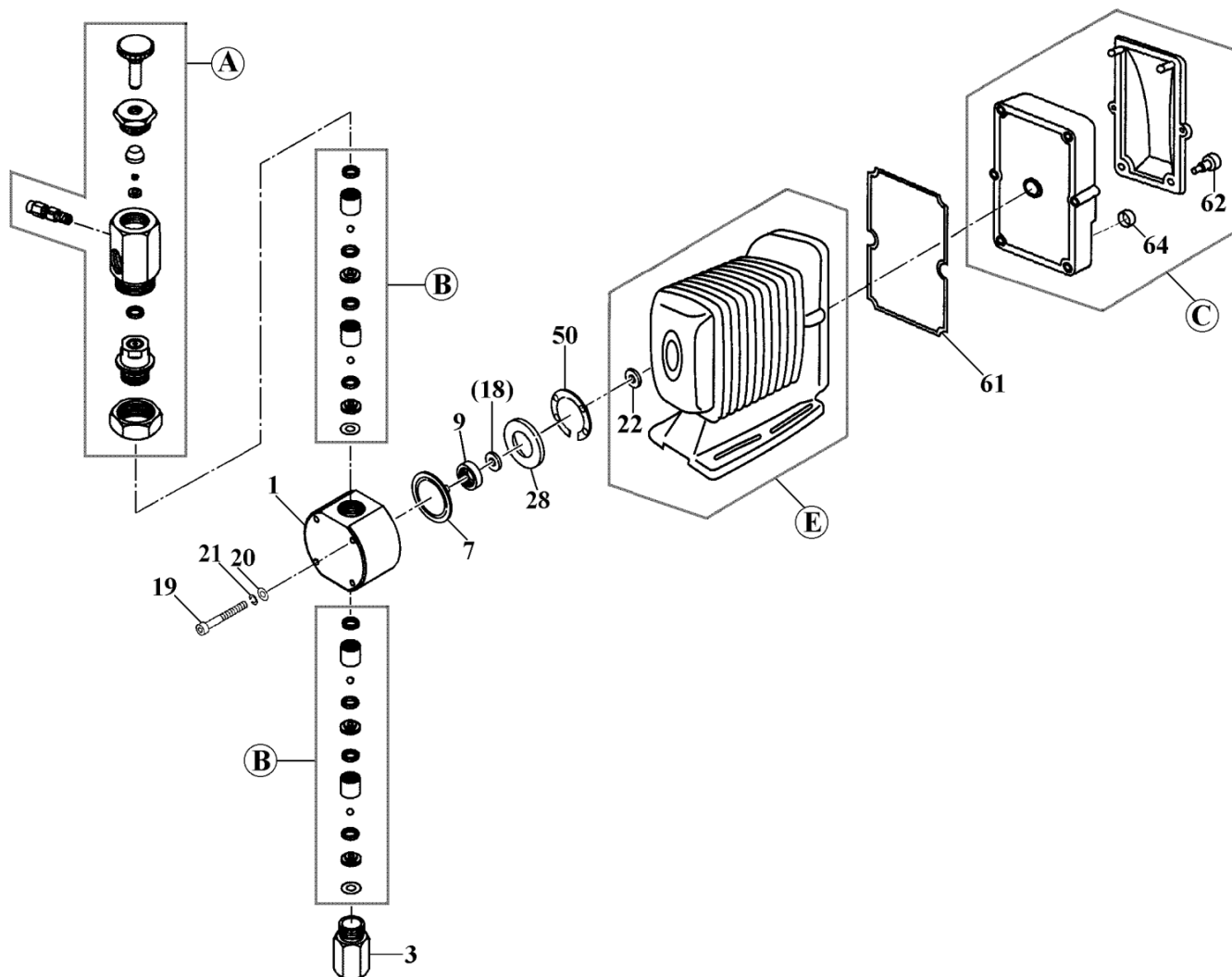


EWN-B16•C16-SH <SUS316>

No. 92-075
Mar. 01, 2020



| Item | Description | Q'ty | Material | Part No. | |
|------|--------------------------|---------|----------|--------------|--------------|
| 1 | Pump Head | 1 | SUS316 | E0277 | |
| 3 | Fitting (Rc¼) | 1 | SUS316 | E0488 | |
| 7 | Diaphragm | 1 | PTFE | E0022 | |
| 9 | Diaph. Retainer | 1 | PPS | E0027 | |
| *18 | Spacer | t:0,1mm | * | Brass | E0031 |
| | | t:0,2mm | * | Brass | E0033 |
| | | t:0,3mm | * | Brass | E0034 |
| | | t:0,5mm | * | Brass | E0035 |
| | t:0,7mm | * | Brass | E0036 | |
| 19 | Cap Bolt (M4x45) | 4 | SUS316L | E0124 | |
| 20 | Plate Washer (M4) | 4 | SUS316 | E0126 | |
| 21 | Spring Wash. (M4) | 4 | SUS316L | E0128 | |
| 22 | Diaphragm Seal | 1 | EPDM | E0543 | |

| Item | Description | Q'ty | Remark | Part No. | |
|------|----------------------------|-------|--------|--------------|--------------|
| 28 | Bracket Spacer | 1 | PPE | E0040 | |
| 50 | Pump Head Gasket | 1 | EPDM | E0048 | |
| 61 | Controller Gasket | 1 | EPDM | E0073 | |
| 62 | Thumb Bolt | 2 | PPE | E0066 | |
| 64 | Cap (DIN Connector) | 2 | EPDM | E0069 | |
| A | Air Vent Valve Set | 1 | Rc¼ | E0531 | |
| B | Valve Set | 2 | | E0502 | |
| C | Control Unit | "B16" | 1 | BER | E0057 |
| | | "C16" | 1 | CER | E0058 |
| | | "B16" | 1 | BEY | E0588 |
| | | "C16" | 1 | CEY | E0589 |
| E | Drive Unit | "B16" | 1 | | E0439 |
| | | "C16" | 1 | | E0441 |

*Note: "Spacer" (Item 18) ⇒ None or one or more spacers is required for a pump.

⚠ Subject to change without prior notice! ⚠ Actual pump may differ from the exploded view!