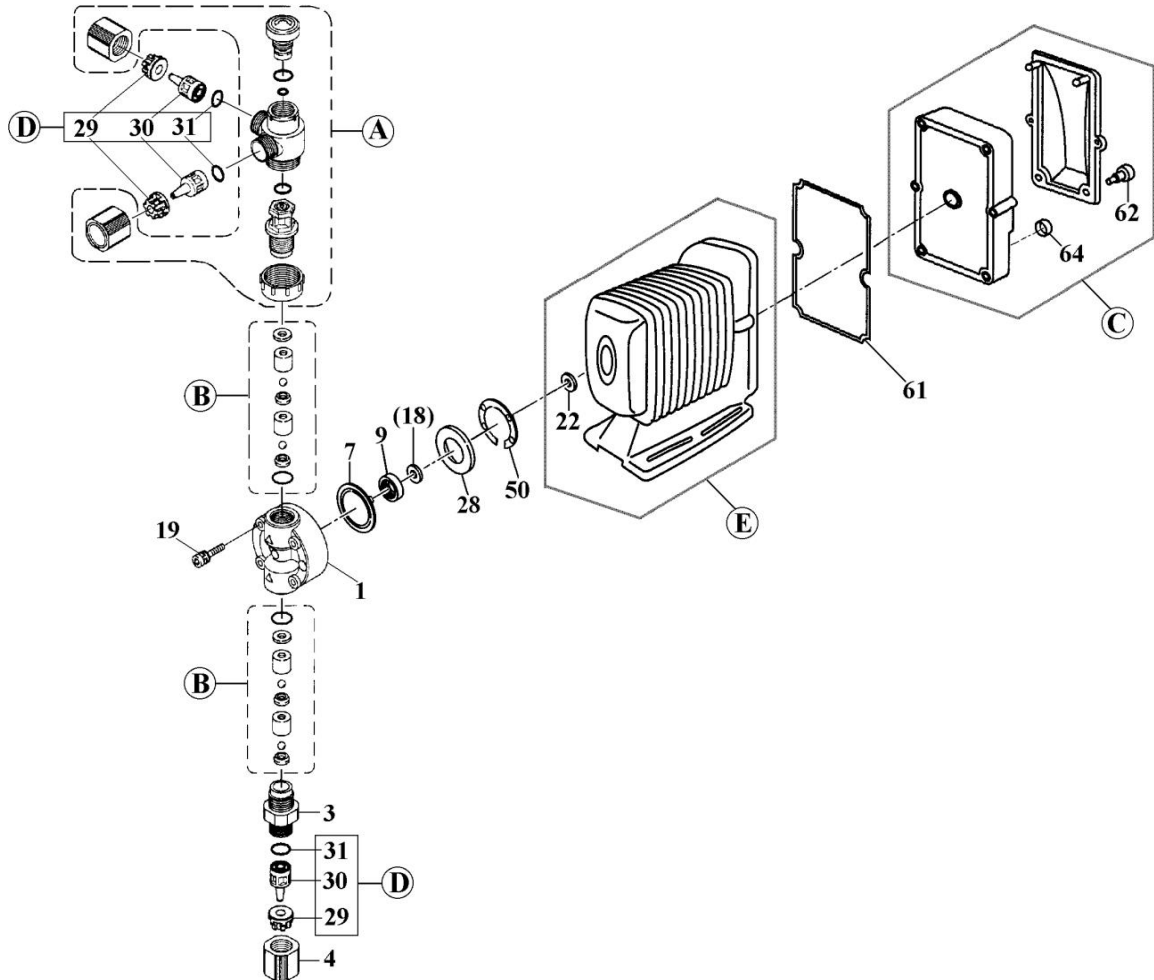


EWN-B16-V <PVC>

No. 92-044
Mar. 01, 2020



Item	Description	Q'ty	Material	Part No.
1	Pump Head "C"	1	PVC	E0186
		1	PVC	E0308
3	Fitting	1	PVC	E0190
4	Fitting Nut	1	PVC	E0194
7	Diaphragm	1	PTFE	E0022
9	Diaph. Retainer	1	PPS	E0027
*18	Spacer	t:0,1mm	* Brass	E0031
		t:0,2mm	* Brass	E0033
		t:0,3mm	* Brass	E0034
		t:0,5mm	* Brass	E0035
		t:0,7mm	* Brass	E0036
19	Cap Bolt (M4x35)	4	SUS316L	E0037
22	Diaphragm Seal	1	EPDM	E0543
28	Bracket Spacer	1	PPE	E0040
29	Hose Stopper	4x6mm	3 GFRPPS	E0042
		5x8mm	3 GFRPPS	E0369
		6x8mm	3 GFRPPS	↑
		6x12mm	3 GFRPPS	E0043
30	Hose Adaptor	4x6mm	3 PVC	E0044
		5x8mm	3 PVC	↑
		6x8mm	3 PVC	↑
		6x12mm	3 PVC	E0367
31	O-Ring P-9	VC	3 FKM-A	E0046
		VH	3 EPDM	E0047

Item	Description	Q'ty	Remark	Part No.
50	Pump Head Gasket	1	EPDM	E0048
61	Controller Gasket	1	EPDM	E0073
62	Thumb Bolt	2	PPE	E0066
64	Cap (DIN Connector)	2	EPDM	E0069
A	Air Vent Valve Set	VC	1	E0378
		VH	1	E0379
B	Valve Set	VC	2	E0493
		VH	2	E0492
C	Control Unit	"R"	1 BER	E0057
			1 BER-C	E0483
		"Y"	1 BEY	E0588
			1 BEY-C	E0592
D	Connector Set [29+30+31]	4x6mm	3 VC	E0385
			3 VH	E0386
		6x8mm	3 VC	E0389
			3 VH	E0390
		5x8mm	3 VC	E0487
6x12mm	3 VC	E0486		
E	Drive Unit	1		E0439
	Wet End Set <1+3+4+A+B>	1	VC	E0003
		1	VH	E0004
		1	VC-C	E0135
		1	VH-C	E0136
*19	Cap Bolt (M4x35)	1	Titanium	E0519

*Notes: (1) "Spacer" (Item 18) ⇒ None or one or more spacers is required for a pump.
(2) "Cap Bolt" made of "Titanium" (Item 19) contains 4 pcs. and optionally available.

⚠ Subject to change without prior notice! ⚠ Actual pump may differ from the exploded view!