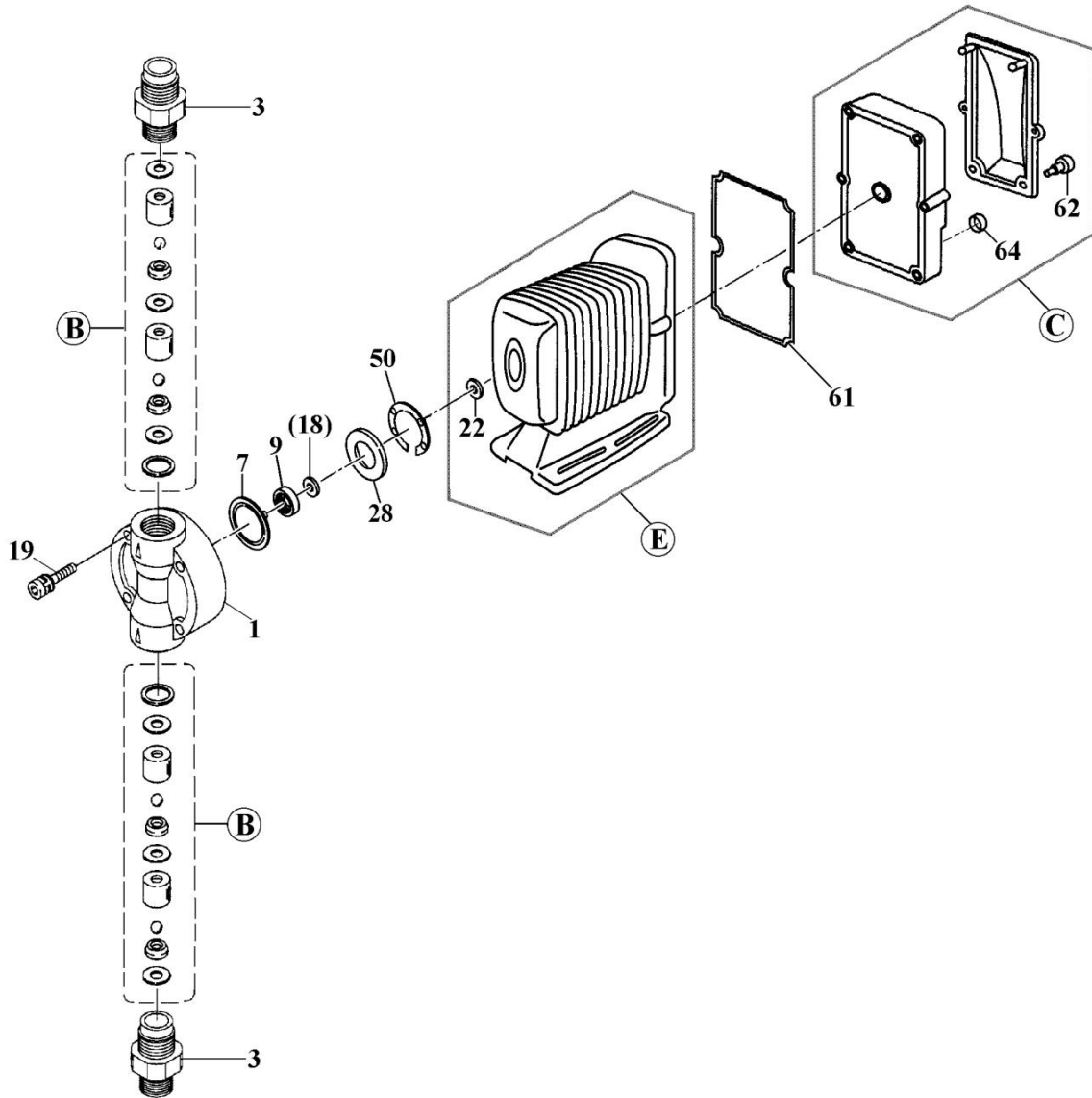


EWN-B21•C21-FC <PVDF>

No. 92-063
Mar. 01, 2020



Item	Description	Q'ty	Material	Part No.
1	Pump Head	1	PVDF	E0252
3	Fitting (Rc1/4)	2	PVDF	E0259
7	Diaphragm	1	PTFE	E0023
9	Diaph. Retainer	1	PPS	E0028
*18	Spacer	t:0,1mm	* Brass	E0031
		t:0,2mm	* Brass	E0033
		t:0,3mm	* Brass	E0034
		t:0,5mm	* Brass	E0035
19	Cap Bolt (M4x35)	4	SUS316L	E0037
22	Diaphragm Seal	1	EPDM	E0543
28	Bracket Spacer	1	GFRPPE	E0041

Item	Description	Q'ty	Remark	Part No.	
50	Pump Head Gasket	1	EPDM	E0048	
61	Controller Gasket	1	EPDM	E0073	
62	Thumb Bolt	2	PPE	E0066	
64	Cap (DIN Connector)	2	EPDM	E0069	
B	Valve Set	2		E0513	
C	Control Unit	"B21"	1 BER	E0057	
		"C21"	1 CER	E0058	
		"B21"	1 BEY	E0588	
		"C21"	1 CEY	E0589	
E	Drive Unit	"B21"	1	E0439	
		"C21"	1	E0441	
Wet End Set <1+3+B>				1	E0105

*Note: "Spacer" (Item 18) ⇒ None or one or more spacers is required for a pump.

⚠ Subject to change without prior notice! ⚠ Actual pump may differ from the exploded view!