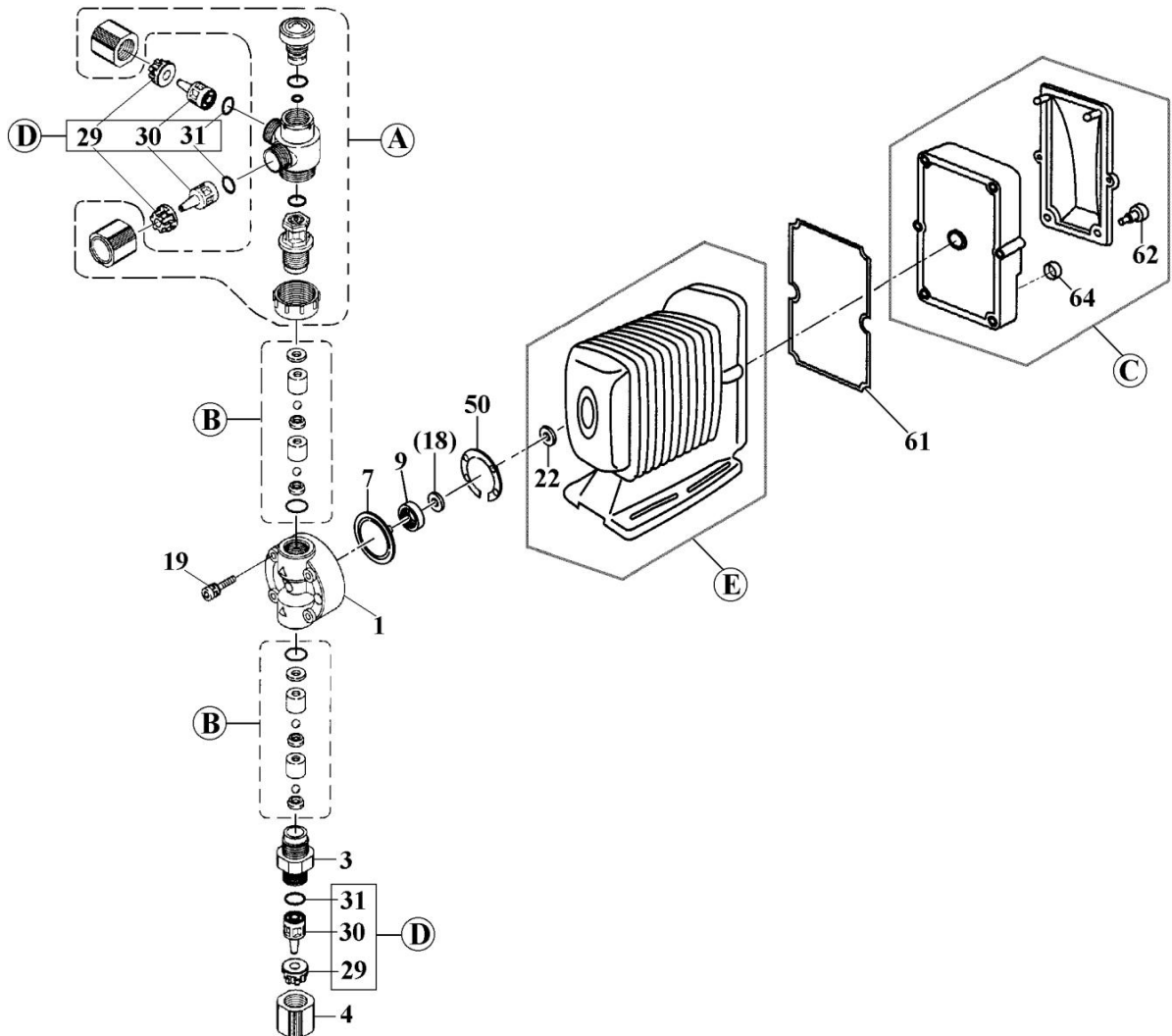


# EWN-B31·C31-P <GFRPP>

No. 92-057  
Mar. 01, 2020



Item	Description	Q'ty	Material	Part No.
1	Pump Head	1	GFRPP	E0232
3	Fitting	1	GFRPP	E0236
4	Fitting Nut	1	GFRPP	E0238
7	Diaphragm	1	PTFE	E0024
9	Diaph. Retainer	1	PPS	E0029
*18	Spacer	t:0,1mm	* Brass	E0031
		t:0,2mm	* Brass	E0033
		t:0,3mm	* Brass	E0034
		t:0,5mm	* Brass	E0035
		t:0,7mm	* Brass	E0036
19	Cap Bolt (M4x35)	4	SUS316L	E0037
22	Diaphragm Seal	1	EPDM	E0543
29	Hose Stopper (9x12)	3	GFRPPS	E0043
30	Hose Adaptor (9x12)	3	GFRPP	E0097
31	O-Ring P-9	PC	3 FKM-A	E0046
		PH	3 EPDM	E0047
50	Pump Head Gasket	1	EPDM	E0049

Item	Description	Q'ty	Remark	Part No.
61	Controller Gasket	1	EPDM	E0073
62	Thumb Bolt	2	PPE	E0066
64	Cap (DIN Connector)	2	EPDM	E0069
A	Air Vent Valve Set	PC	1	E0462
		PH	1	E0463
B	Valve Set	PC	2	E0499
		PH	2	E0498
C	Control Unit	"B31"	1 BER	E0057
		"C31"	1 CER	E0058
		"B31"	1 BEY	E0588
		"C31"	1 CEY	E0589
D	Connector Set [29+30+31] (9x12mm)	3 PC	E0529	
		3 PH	E0530	
E	Drive Unit	"B31"	1	E0440
		"C31"	1	E0442
Wet End Set <1+3+4+A+B>		1	PC	E0082
Wet End Set <1+3+4+A+B>		1	PH	E0083

\*Note: "Spacer" (Item 18) ⇒ None or one or more spacers is required for a pump.

△Subject to change without prior notice! △Actual pump may differ from the exploded view!