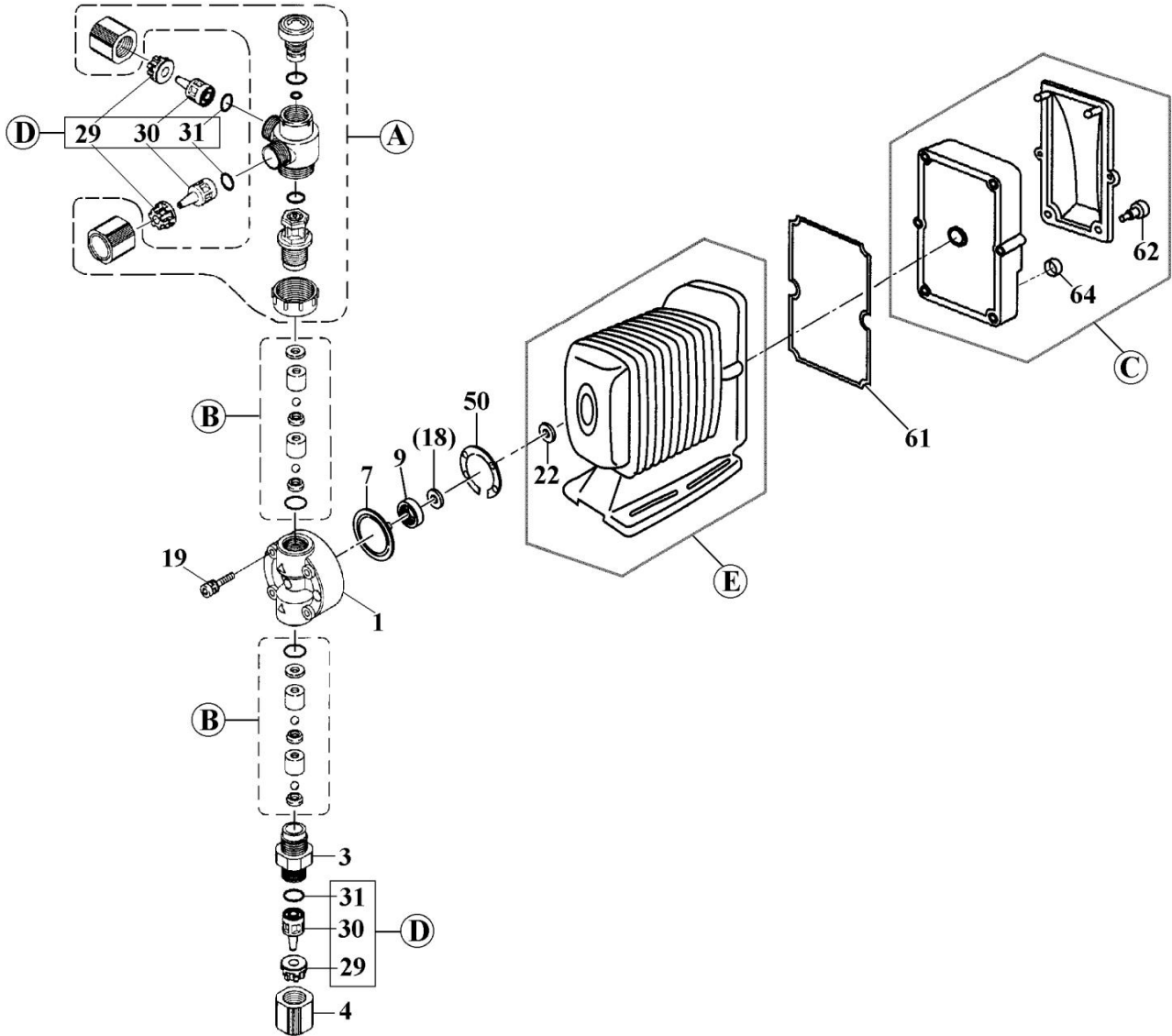


EWN-B31-V <PVC>

No. 92-046
Mar. 01, 2020



Item	Description	Q'ty	Material	Part No.
1	Pump Head	1	PVC	E0188
3	Fitting	1	PVC	E0192
4	Fitting Nut	1	PVC	E0194
7	Diaphragm	1	PTFE	E0024
9	Diaph. Retainer	1	PPS	E0029
*18	Spacer	t:0,1mm	* Brass	E0031
		t:0,2mm	* Brass	E0033
		t:0,3mm	* Brass	E0034
		t:0,5mm	* Brass	E0035
		t:0,7mm	* Brass	E0036
19	Cap Bolt (M4x35)	4	SUS316L	E0037
22	Diaphragm Seal	1	EPDM	E0543
29	Hose Stopper	6x12mm	3 GFRPPS	E0043
		9x12mm	3 GFRPPS	↑
30	Hose Adaptor	6x12mm	3 PVC	E0367
		9x12mm	3 PVC	E0045
31	O-Ring P-9	VC	3 FKM-A	E0046
		VH	3 EPDM	E0047

Item	Description	Q'ty	Remark	Part No.
50	Pump Head Gasket	1	EPDM	E0049
61	Controller Gasket	1	EPDM	E0073
62	Thumb Bolt	2	PPE	E0066
64	Cap (DIN Connector)	2	EPDM	E0069
A	Air Vent Valve Set	VC	1	E0380
		VH	1	E0381
B	Valve Set	VC	2	E0494
		VH	2	E0495
C	Control Unit	"R"	1 BER	E0057
		"Y"	1 BEY	E0588
D	Connector Set	6x12mm	3 VC	E0486
		9x12mm	3 VC	E0395
		[29+30+31] 9x12mm	3 VH	E0396
E	Drive Unit	1		E0440
Wet End Set <1+3+4+A+B>		1	VC	E0007
Wet End Set <1+3+4+A+B>		1	VH	E0008
*19	Cap Bolt (M4x35)	1	Titanium	E0519

*Notes: (1) "Spacer" (Item 18) ⇒ None or one or more spacers is required for a pump.

(2) "Cap Bolt" made of "Titanium" (Item 19) contains 4 pcs. and optionally available.

⚠ Subject to change without prior notice! ⚠ Actual pump may differ from the exploded view!