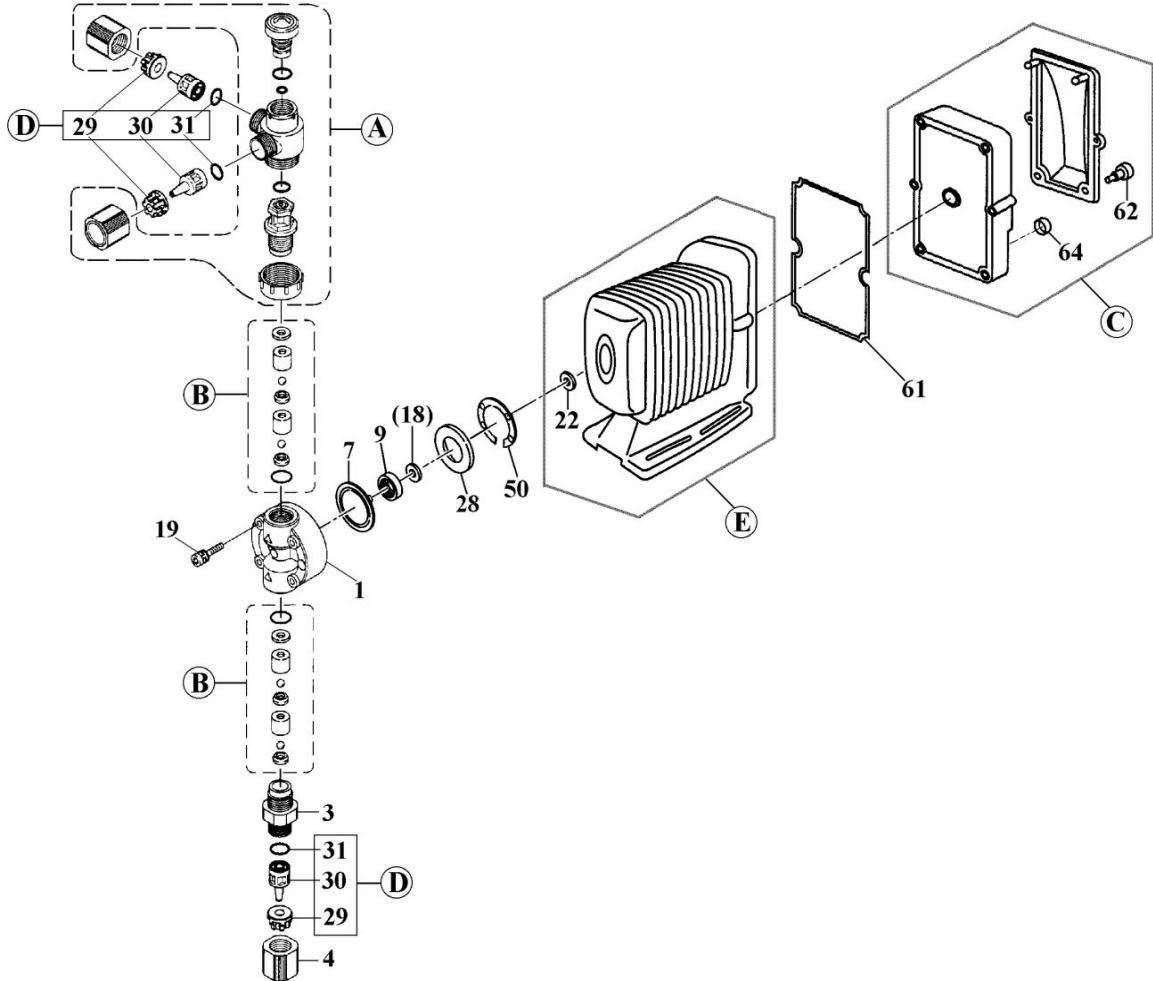


EWN-C16-V <PVC>

No. 92-047
Mar. 01, 2020



| Item | Description | Q'ty | Material | Part No. |
|------|------------------|---------|----------|----------|
| 1 | Pump Head | | PVC | E0186 |
| | | "C" | PVC | E0308 |
| 3 | Fitting | 1 | PVC | E0190 |
| 4 | Fitting Nut | 1 | PVC | E0194 |
| 7 | Diaphragm | 1 | PTFE | E0022 |
| 9 | Diaph. Retainer | 1 | PPS | E0027 |
| *18 | Spacer | t:0,1mm | * Brass | E0031 |
| | | t:0,2mm | * Brass | E0033 |
| | | t:0,3mm | * Brass | E0034 |
| | | t:0,5mm | * Brass | E0035 |
| | | t:0,7mm | * Brass | E0036 |
| 19 | Cap Bolt (M4x35) | 4 | SUS316L | E0037 |
| 22 | Diaphragm Seal | 1 | EPDM | E0543 |
| 28 | Bracket Spacer | 1 | PPE | E0040 |
| 29 | Hose Stopper | 4x6mm | 3 GFRPPS | E0042 |
| | | 5x8mm | 3 GFRPPS | E0369 |
| | | 6x8mm | 3 GFRPPS | ↑ |
| | | 6x12mm | 3 GFRPPS | E0043 |
| 30 | Hose Adaptor | 4x6mm | 3 PVC | E0044 |
| | | 5x8mm | 3 PVC | ↑ |
| | | 6x8mm | 3 PVC | ↑ |
| | | 6x12mm | 3 PVC | E0367 |
| 31 | O-Ring P-9 | VC | 3 FKM-A | E0046 |
| | | VH | 3 EPDM | E0047 |

| Item | Description | Q'ty | Remark | Part No. |
|------|--------------------------|--------|----------|----------|
| 50 | Pump Head Gasket | 1 | EPDM | E0048 |
| 61 | Controller Gasket | 1 | EPDM | E0073 |
| 62 | Thumb Bolt | 2 | PPE | E0066 |
| 64 | Cap (DIN Connector) | 2 | EPDM | E0069 |
| A | Air Vent Valve Set | VC | 1 | E0378 |
| | | VH | 1 | E0379 |
| B | Valve Set | VC | 2 | E0493 |
| | | VH | 2 | E0492 |
| C | Control Unit | "R" | 1 CER | E0058 |
| | | | 1 CER-C | E0484 |
| | | "Y" | 1 CEY | E0589 |
| | | | 1 CEY-C | E0593 |
| D | Connector Set [29+30+31] | 4x6mm | 3 VC | E0385 |
| | | | 3 VH | E0386 |
| | | 6x8mm | 3 VC | E0389 |
| | | | 3 VH | E0390 |
| | | 5x8mm | 3 VC | E0487 |
| | | | 3 VC | E0486 |
| E | Drive Unit | 1 | | E0441 |
| | Wet End Set <1+3+4+A+B> | 1 VC | E0003 | |
| | | 1 VH | E0004 | |
| | | 1 VC-C | E0135 | |
| | | 1 VH-C | E0136 | |
| *19 | Cap Bolt (M4x35) | 1 | Titanium | E0519 |

*Notes: (1) "Spacer" (Item 18) ⇒ None or one or more spacers is required for a pump.
(2) "Cap Bolt" made of "Titanium" (Item 19) contains 4 pcs. and optionally available.

⚠ Subject to change without prior notice! ⚠ Actual pump may differ from the exploded view!