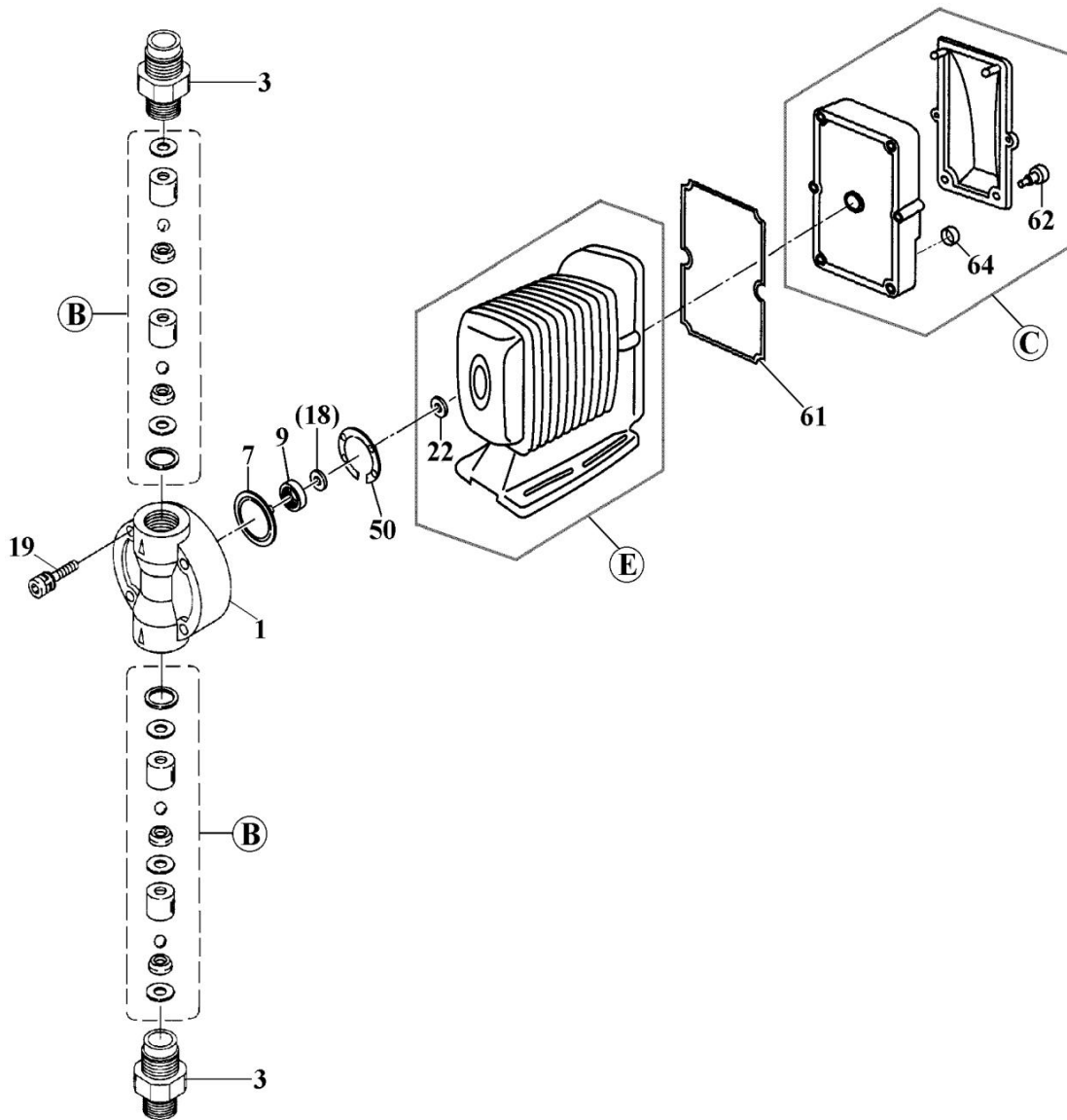


# EWN-C36-FC <PVDF>

No. 92-065  
Mar. 01, 2020



Item	Description	Q'ty	Material	Part No.
1	<b>Pump Head</b>	1	PVDF	<b>E0254</b>
3	<b>Fitting (Rc1/4)</b>	2	PVDF	<b>E0260</b>
7	<b>Diaphragm</b>	1	PTFE	<b>E0025</b>
9	<b>Diaph. Retainer</b>	1	PPS	<b>E0030</b>
*18	<b>Spacer</b>	t:0,1mm	* Brass	<b>E0031</b>
		t:0,2mm	* Brass	<b>E0033</b>
		t:0,3mm	* Brass	<b>E0034</b>
		t:0,5mm	* Brass	<b>E0035</b>
		t:0,7mm	* Brass	<b>E0036</b>
19	<b>Cap Bolt (M5x35)</b>	4	SUS316L	<b>E0038</b>

Item	Description	Q'ty	Remark	Part No.
22	<b>Diaphragm Seal</b>	1	EPDM	<b>E0543</b>
50	<b>Pump Head Gasket</b>	1	EPDM	<b>E0050</b>
61	<b>Controller Gasket</b>	1	EPDM	<b>E0073</b>
62	<b>Thumb Bolt</b>	2	PPE	<b>E0066</b>
64	<b>Cap (DIN Connector)</b>	2	EPDM	<b>E0069</b>
B	<b>Valve Set</b>	2		<b>E0511</b>
C	<b>Control Unit</b>	1	CER	<b>E0058</b>
		1	CEY	<b>E0589</b>
E	<b>Drive Unit</b>	1		<b>E0443</b>
	<b>Wet End Set &lt;1+3+B&gt;</b>	1		<b>E0107</b>

\*Note: "Spacer" (Item 18) ⇒ None or one or more spacers is required for a pump.

△ Subject to change without prior notice! △ Actual pump may differ from the exploded view!