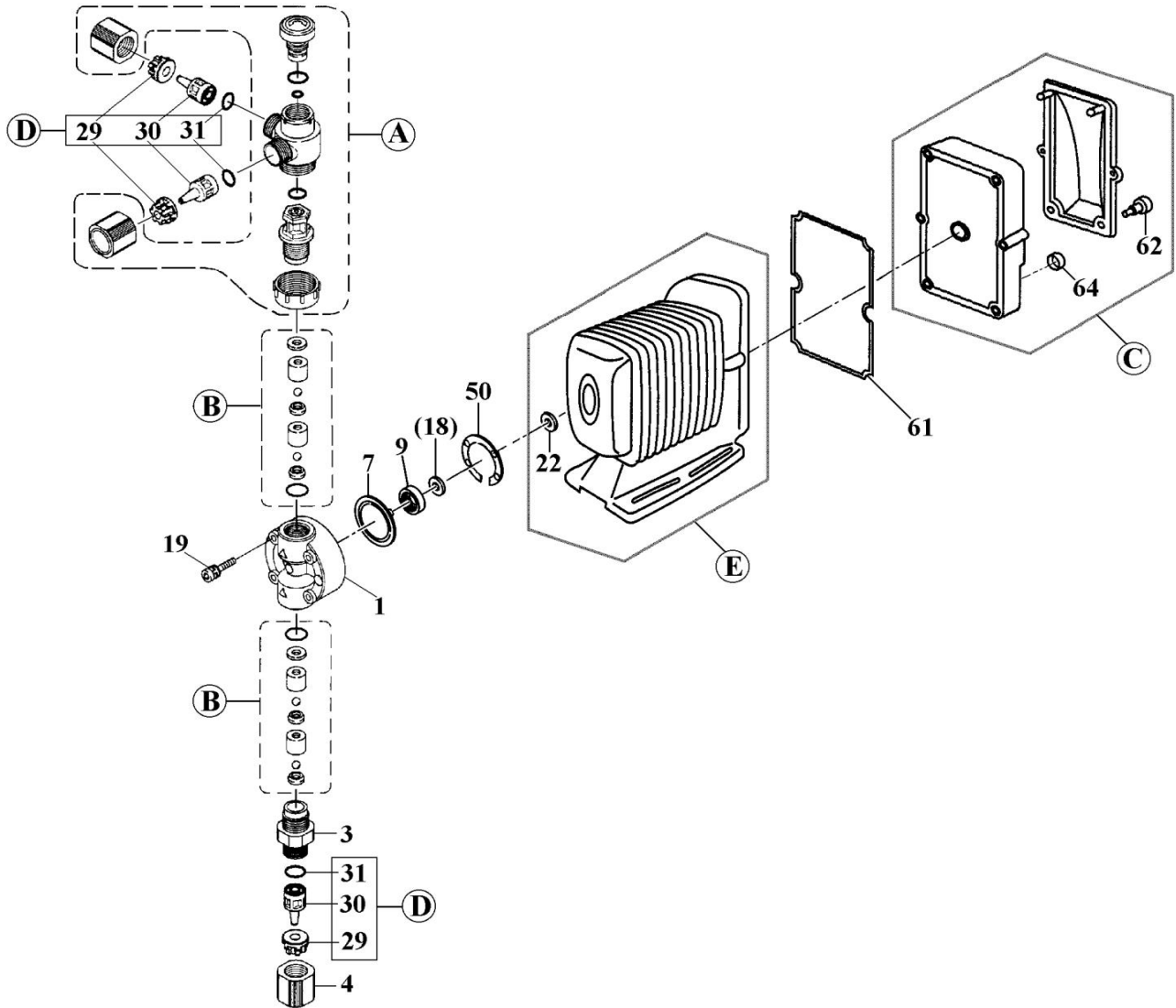


EWN-C36-V <PVC>

No. 92-050
Mar. 01, 2020



| Item | Description | Q'ty | Material | Part No. |
|------|-------------------------|---------|----------|--------------|
| 1 | Pump Head | 1 | PVC | E0189 |
| 3 | Fitting | 1 | PVC | E0192 |
| 4 | Fitting Nut | 1 | PVC | E0194 |
| 7 | Diaphragm | 1 | PTFE | E0025 |
| 9 | Diaph. Retainer | 1 | PPS | E0030 |
| *18 | Spacer | t:0,1mm | * Brass | E0031 |
| | | t:0,2mm | * Brass | E0033 |
| | | t:0,3mm | * Brass | E0034 |
| | | t:0,5mm | * Brass | E0035 |
| | | t:0,7mm | * Brass | E0036 |
| 19 | Cap Bolt (M5x35) | 4 | SUS316L | E0038 |
| 22 | Diaphragm Seal | 1 | EPDM | E0543 |
| 29 | Hose Stopper | 6x12mm | 3 GFRPPS | E0043 |
| | | 9x12mm | 3 GFRPPS | ↑ |
| 30 | Hose Adaptor | 6x12mm | 3 PVC | E0367 |
| | | 9x12mm | 3 PVC | E0045 |
| 31 | O-Ring P-9 | VC | 3 FKM-A | E0046 |
| | | VH | 3 EPDM | E0047 |

| Item | Description | Q'ty | Remark | Part No. | |
|--------------------------|----------------------------|-------------------|----------|--------------|--------------|
| 50 | Pump Head Gasket | 1 | EPDM | E0050 | |
| 61 | Controller Gasket | 1 | EPDM | E0073 | |
| 62 | Thumb Bolt | 2 | PPE | E0066 | |
| 64 | Cap (DIN Connector) | 2 | EPDM | E0069 | |
| A | Air Vent Valve Set | VC | 1 | | E0380 |
| | | VH | 1 | | E0381 |
| B | Valve Set | VC | 2 | | E0494 |
| | | VH | 2 | | E0495 |
| C | Control Unit | "R" | 1 | CER | E0058 |
| | | "Y" | 1 | CEY | E0589 |
| D | Connector Set | 6x12mm | 3 | VC | E0486 |
| | | 9x12mm | 3 | VC | E0395 |
| | | [29+30+31] 9x12mm | 3 | VH | E0396 |
| E | Drive Unit | 1 | | E0443 | |
| Wet End Set | | 1 | VC | E0009 | |
| <1+3+4+A+B> | | 1 | VH | E0010 | |
| *19 | Cap Bolt (M5x35) | 1 | Titanium | E0524 | |

*Notes: (1) "Spacer" (Item 18) ⇒ None or one or more spacers is required for a pump.
(2) "Cap Bolt" made of "Titanium" (Item 19) contains 4 pcs. and optionally available.

⚠ Subject to change without prior notice! ⚠ Actual pump may differ from the exploded view!