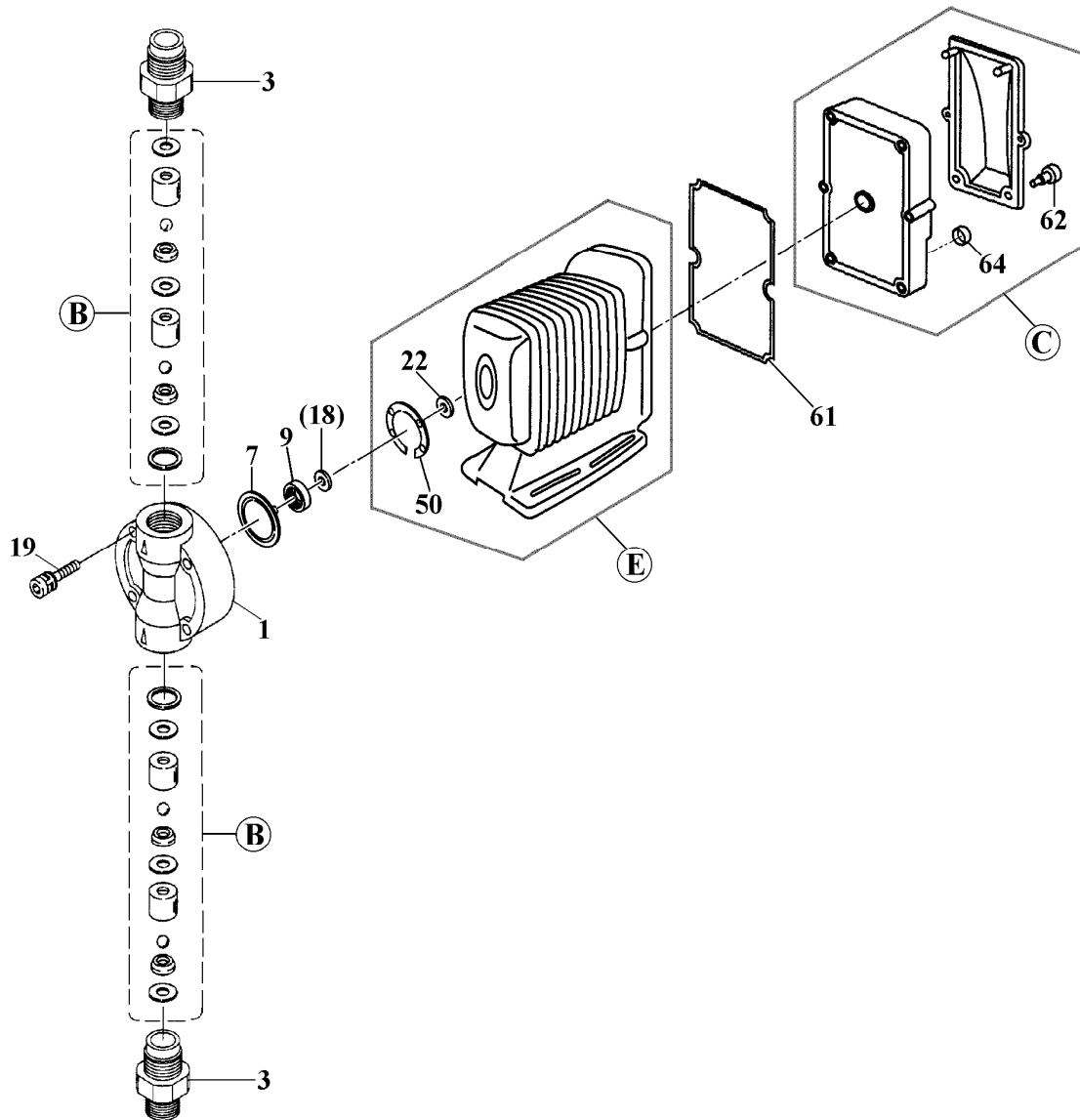


# EWN-B31·C31-FC <PVDF>

No. 92-020  
Oct. 01, 2010



Item	Description	Q'ty	Material	Part No.	
1	<b>Pump Head</b>	1	PVDF	<b>EH1966</b>	
3	<b>Fitting &lt;Rc1/4&gt;</b>	2	PVDF	<b>EWN0036</b>	
7	<b>Diaphragm</b>	1	PTFE	<b>EH1974</b>	
9	<b>Retainer</b>	1	PPS	<b>EH0087</b>	
*18	<b>Spacer</b>	t:0,1mm	*	Brass	<b>EH1206</b>
		t:0,2mm	*	Brass	<b>EH0030</b>
		t:0,3mm	*	Brass	<b>EH0036</b>
		t:0,5mm	*	Brass	<b>EH0037</b>
		t:0,7mm	*	Brass	<b>EH0279</b>
19	<b>Cap Bolt (M4x35)</b>	4	SUS316L	<b>EH1986</b>	

Item	Description	Q'ty	Remark	Part No.	
22	<b>Diaphragm Seal</b>	1	EPDM	<b>EH1888</b>	
50	<b>Pump Head Gasket</b>	1	EPDM	<b>EW0094</b>	
61	<b>Controller Gasket</b>	1	EPDM	<b>EW0049</b>	
62	<b>Thumb Bolt</b>	2	PPE	<b>EW0307</b>	
64	<b>Cap (DIN Connector)</b>	2	EPDM	<b>EW0149</b>	
B	<b>Valve Set</b>	2		<b>EWN0077</b>	
C	<b>Control Unit</b>	"B31"	1	BER	<b>EWN0058</b>
		"C31"	1	CER	<b>EWN0059</b>
E	<b>Drive Unit</b>	"B31"	1		<b>EWN0084</b>
		"C31"	1		<b>EWN0086</b>

\*Note: "Spacer" (Item 18) ⇒ None or one or more spacers is required for a pump.

△ Subject to change without prior notice! △ Actual pump may differ from the exploded view!