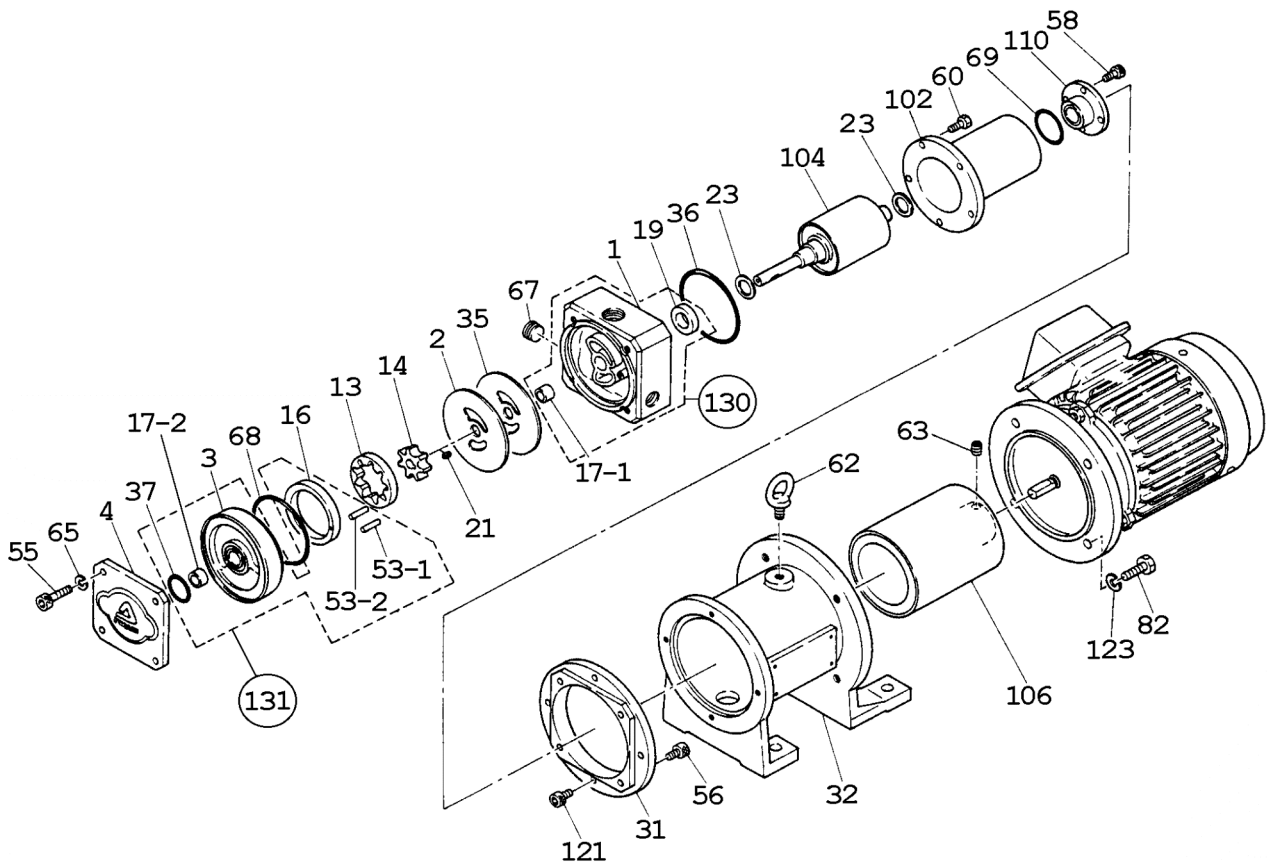


GM-12S (Stainless Steel)

No. 73-045
Mar. 01, 2006



Wet End Parts

Item	Description	Q'ty	Remark	Part No.
≈1	Port Housing	1	SCS14	G0102
2	Side Plate	1	SUS316	G0144
♥3	Gear Housing	1	SUS316	G0145
4	Cover	1	SCS14	G0008
13	Internal Gear	1	SiC	G0148
14	Pinion	1	SiC	G0149
♥16	Bearing	1	Carbon	G0154
≈17-1	Bearing (Shaft)	1	Carbon	G0156
♥17-2	Bearing (Shaft)	1	Carbon	G0161
≈19	Bearing (Center)	1	Carbon	G0105
21	Key	1	SUS316	G0157
23	Spacer	3	GFRPTFE	G0106
35	Gasket	1	PTFE	G0025
36	O-Ring, G-70	1	PTFE	G0109
♥37	O-Ring, P-22A	1	PTFE	G0026
♥53-1	Dowel Pin (S6)	1	2,5x12	G0158
♥53-2	Dowel Pin (S6)	1	1,6x12	G0159
67	Plug (R 3/8")	1	SUS316	G0037
68	O-Ring, G-65	1	PTFE	G0038
69	O-Ring, G-30	1	PTFE	G0115
102	Seal Case	1	S6L+S4	G0117
104	Magnet Capsule	1	0,2□0,4kW	G0210
110	Bear.Holder Unit	1	S4+Carbon	G0121
130	P.H.+ Bear. Unit	1	Items w/ ≈	G0209
131	Gear Hous. Unit	1	Items w/ ♥	G0147

Other Parts

Item	Description	Q'ty	Remark	Part No.
31	Sub-Bracket	1	FC200	G0107
32	Bracket	1	FC200	G0108
55	Bolt (M6x40)	4	S4 equiv.	G0032
56	Bolt (M6x12)	4	Steel	G0110
58	Bolt (M5x10)	4	S4 equiv.	G0111
60	Bolt (M5x15)	5	S4 equiv.	G0034
62	Eye Bolt (M8)	1	Steel	G0113
63	Screw (M8x10)	2	Steel	G0114
65	S. Washer (M6)	4	S4 equiv.	G0036
82	Bolt (M8x25)	4	Steel	G0116
106	Drive Mag. Unit	1	0,2 kW	G0119
		1	0,4 kW	G0120
121	Bolt (M6x15)	4	S4 equiv.	G0122
123	S. Washer (M8)	4	Steel	G0123

⚠ Subject to change without prior notice! ⚠ Actual pump may differ from the exploded view!