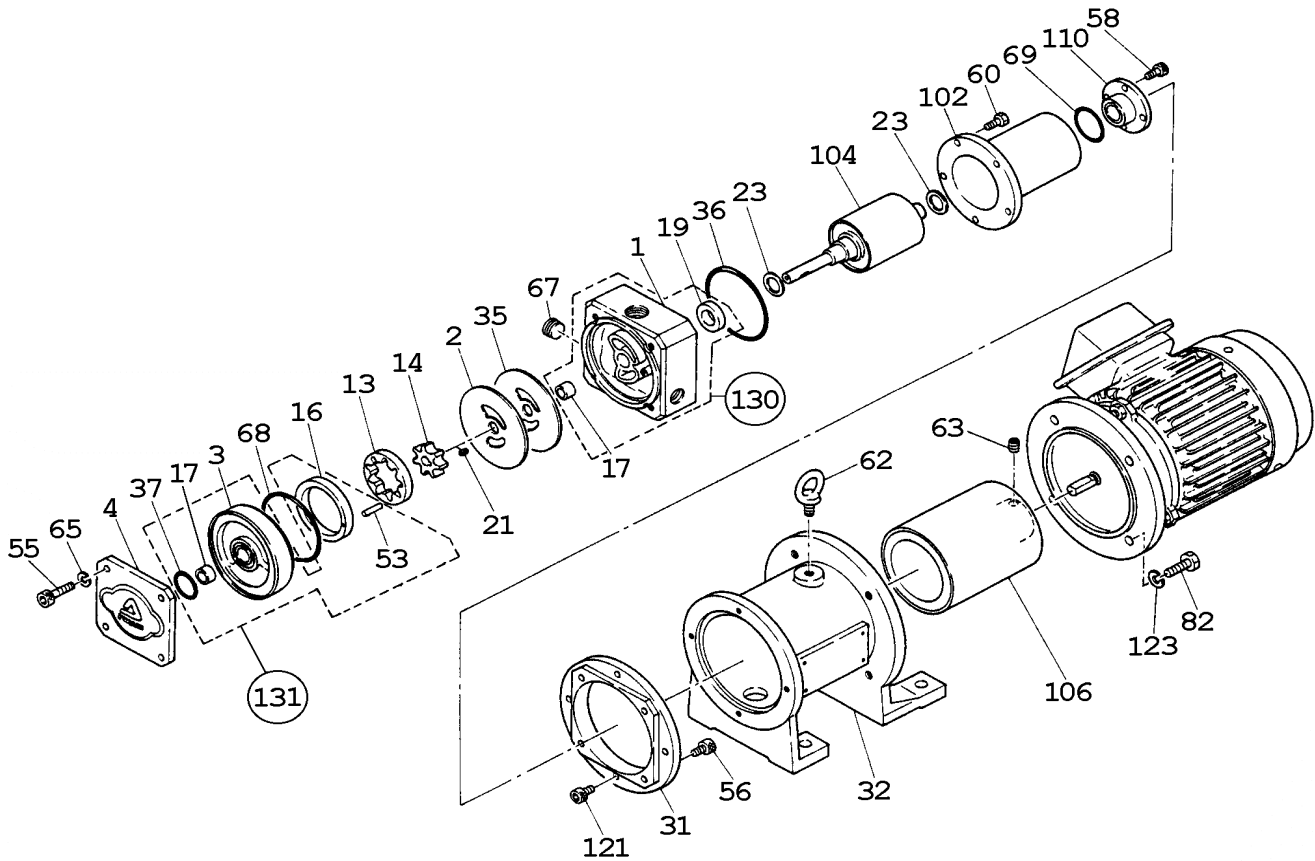


GM-25S (Stainless Steel)

No. 73-047
Mar. 01, 2006



Wet End Parts

Item	Description	Q'ty	Remark	Part No.
≈1	Port Housing	1	SCS14	G0124
2	Side Plate	1	SUS316	G0054
♥3	Gear Housing	1	SCS14	G0055
4	Cover	1	SCS14	G0058
13	Internal Gear	1	SiC	G0063
14	Pinion	1	SiC	G0064
♥16	Bearing	1	Carbon	G0069
≈♥17	Bearing (Shaft)	2	Carbon	G0071
≈19	Bearing (Center)	1	Carbon	G0127
21	Key	1	SUS304	G0072
23	Spacer	2	GFRPTFE	G0106
35	Gasket	1	PTFE	G0075
36	O-Ring, G-85	1	PTFE	G0131
♥37	O-Ring, P-30	1	PTFE	G0076
♥53	Dowel Pin (3x28)	1	SUS316	G0132
67	Plug (R 3/4")	1	SUS316	G0087
68	O-Ring, G-95	1	PTFE	G0088
69	O-Ring, G-30	1	PTFE	G0115
102	Seal Case	1	S6L+S4	G0136
104	Magnet Capsule	1	0,75•1,5kW	G0137
110	Bear.Holder Unit	1	S4+Carbon	G0121
130	P.H.+ Bear. Unit	1	Items w/ ≈	G0125
131	Gear Hous. Unit	1	Items w/ ♥	G0126

Other Parts

Item	Description	Q'ty	Remark	Part No.
31	Sub-Bracket	1	FC200	G0129
32	Bracket	1	FC200	G0130
55	Bolt (M10x50)	4	S4 equiv.	G0082
56	Bolt (M8x15)	4	Steel	G0133
58	Bolt (M5x10)	4	S4 equiv.	G0111
60	Bolt (M6x15)	5	S4 equiv.	G0084
62	Eye Bolt (M10)	1	Steel	G0134
63	Screw (M8x10)	2	Steel	G0114
65	S. Washer (M10)	4	S4 equiv.	G0086
82	Bolt (M10x25)	4	Steel	G0135
106	Drive Mag. Unit	1	0,75 kW	G0138
		1	1,5 kW	G0139
121	Bolt (M8x20)	4	S4 equiv.	G0140
123	S. Washer (M10)	4	Steel	G0141

△ Subject to change without prior notice! △ Actual pump may differ from the exploded view!