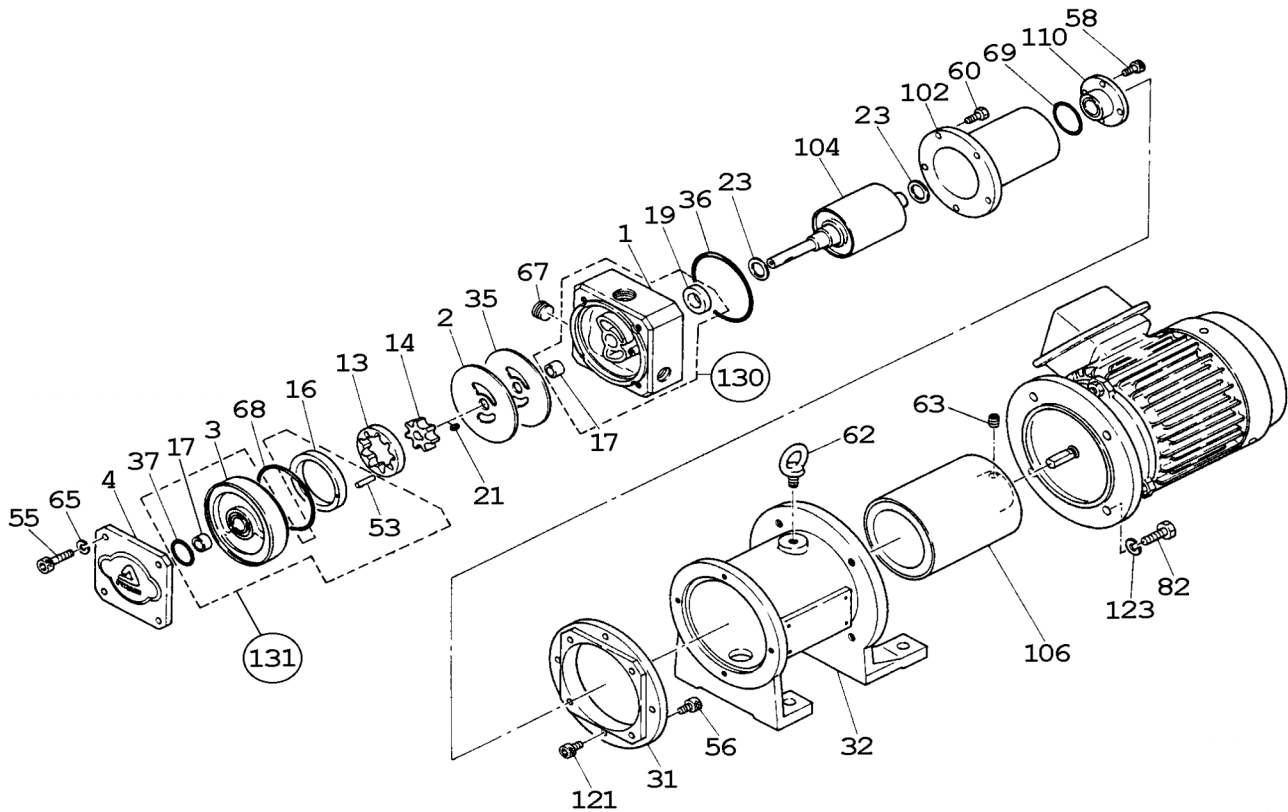


GM-32S (Stainless Steel)

No. 73-048
Mar. 01, 2006



Wet End Parts

Item	Description	Q'ty	Remark	Part No.
≈1	Port Housing	1	SUS316	G0212
2	Side Plate	1	SUS316	G0165
♥3	Gear Housing	1	SUS316	G0166
4	Cover	1	SCS14	G0169
13	Internal Gear	1	SiC	G0174
14	Pinion	1	SiC	G0175
♥16	Bearing	1	Carbon	G0180
≈♥17	Bearing (Shaft)	2	Carbon	G0199
≈19	Bearing (Center)	1	Carbon	G0214
21	Key	1	SUS316	G0181
23	Spacer	2	GFRPTFE	G0215
35	Gasket	1	PTFE	G0184
36	O-Ring, JAS03118	1	PTFE	G0230
♥37	O-Ring, P-42	1	PTFE	G0185
♥53	Dowel Pin (3x32)	1	SUS316	G0200
67	Plug (R 1")	1	SUS316	G0194
68	O-Ring, G-115	1	PTFE	G0195
69	O-Ring, G-55	1	PTFE	G0220
102	Seal Case	1	SUS316	G0222
104	Magnet Capsule	1	2,2•4,0kW	G0223
110	Bear.Holder Unit	1	S4+Carbon	G0225
130	P.H.+ Bear. Unit	1	Items w/ ≈	G0213
131	Gear Hous. Unit	1	Items w/ ♥	G0168

Other Parts

Item	Description	Q'ty	Remark	Part No.
31	Sub-Bracket	1	FC200	G0216
32	Bracket	1	FC200	G0217
55	Bolt (M12x65)	4	S4 equiv.	G0190
56	Bolt (M8x15)	4	Steel	G0133
58	Bolt (M8x15)	4	S4 equiv.	G0218
60	Bolt (M8x15)	5	S4 equiv.	G0218
62	Eye Bolt (M10)	1	Steel	G0134
63	Screw (M8x8)	2	Steel	G0219
65	S. Washer (M12)	4	S4 equiv.	G0193
82	Bolt (M12x25)	4	Steel	G0221
106	Drive Mag. Unit	1	2,2•4,0kW	G0224
121	Bolt (M10x20)	4	S4 equiv.	G0226
123	S. Washer (M12)	4	Steel	G0227

△ Subject to change without prior notice! △ Actual pump may differ from the exploded view!