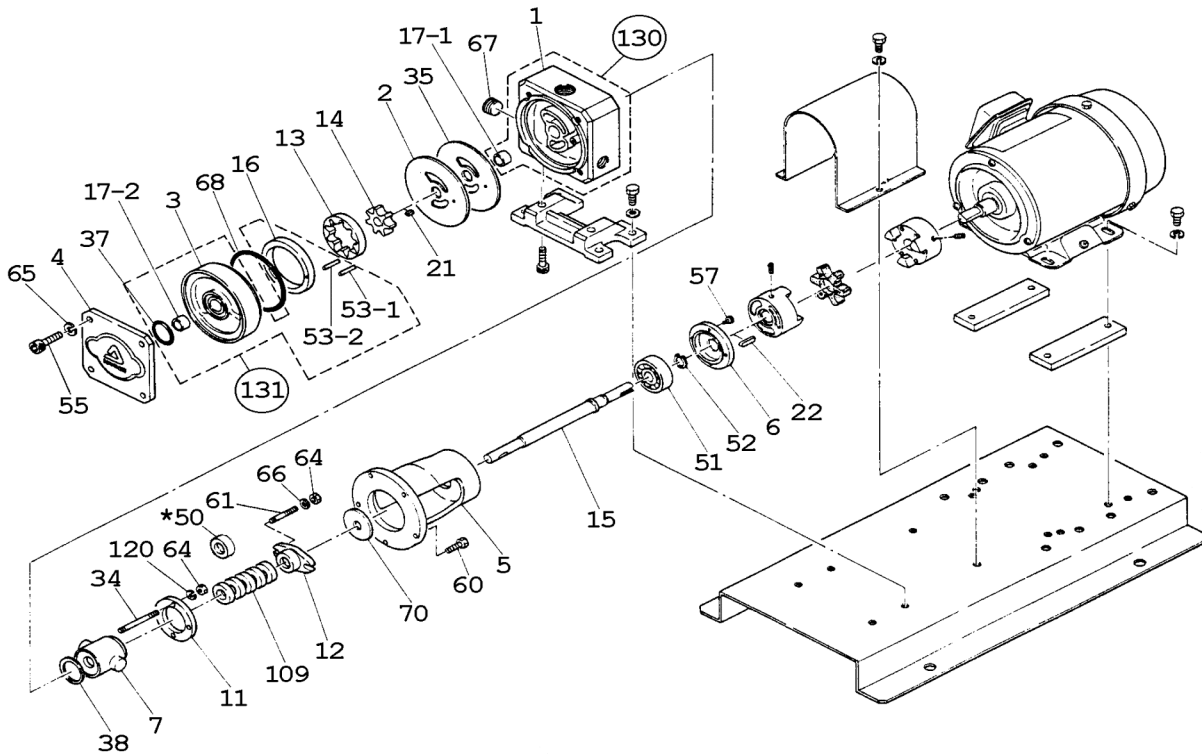


GX-12S (Gland Packing)

No. 73-053
Mar. 01, 2006



Wet End Parts

Item	Description	Q'ty	Remark	Part No.
≈1	Port Housing	1	SCS14	G0001
2	Side Plate	1	SUS316	G0144
←♥3	Gear Housing	1	SUS316	G0145
4	Cover	1	SCS14	G0008
7	Seal Case	G	SCS14	G0043
		W	SCS14	G0044
12	Packing Retainer	1	SCS14	G0045
13	Internal Gear	1	SiC	G0148
14	Pinion	K	SiC	G0149
		N	Si ₃ N ₄	G0293
15	Shaft	K	S6+Cr ₂ O ₃	G0201
		C	PSL)	G0152
16	Bearing	←K	SiC	G0153
		♥C	Carbon	G0154
17-1	Bearing (Shaft)	△K	SiC	G0155
		≈C	Carbon	G0156
17-2	Bearing (Shaft)	←△K	SiC	G0160
		≈♥C	Carbon	G0161
21	Key	1	SUS316	G0157
35	Gasket	1	PTFE	G0025
←♥37	O-Ring, P-22A	1	PTFE	G0026
38	Gasket	1	PTFE	G0027
*50	Lantern Ring	W	GFRPTFE	G0047
←♥53-1	Dowel Pin (S6)	1	2,5x12	G0158
←♥53-2	Dowel Pin (S6)	1	1,6x12	G0159
67	Plug (R 3/8")	1	SUS316	G0037
68	O-Ring, G-65	1	PTFE	G0038
109	Gland Packing	1	PTFE	G0050

Unit Parts

Item	Description	Q'ty	Remark	Part No.
130	Port Housing+ Bearing	K	Items w//	G0142
		C	Items w/ ≈	G0143
131	Gear Housing Unit	K	Items w/ ←	G0146
		C	Items w/ ♥	G0147

Other Parts

Item	Description	Q'ty	Remark	Part No.
5	Bearing Housing	1	FC200	G0009
6	Bearing Cover	1	Steel	G0010
11	Seal Case Retainer	1	SUS304	G0012
22	Key	1	Steel	G0023
34	Stud Bolt	2	S4 equiv.	G0024
51	Ball Bearing	1	Steel	G0028
52	Stop Ring	1	Steel	G0029
55	Bolt (M6x40)	4	S4 equiv.	G0032
57	Bolt (M3x5)	4	Steel	G0033
60	Bolt (M5x15)	5	S4 equiv.	G0034
61	Stud Bolt (M5x35)	2	S4 equiv.	G0048
64	Nut (M5)	4	S4 equiv.	G0035
65	S. Washer (M6)	4	S4 equiv.	G0036
66	P. Washer (M5)	2	S4 equiv.	G0049
70	Slinger	1	NBR	G0039
120	S. Washer (M5)	2	S4 equiv.	G0042

* Pos. 50 (Lantern Ring) is only for "W" (Water Addition) Type.

△ Subject to change without prior notice! △ Actual pump may differ from the exploded view!