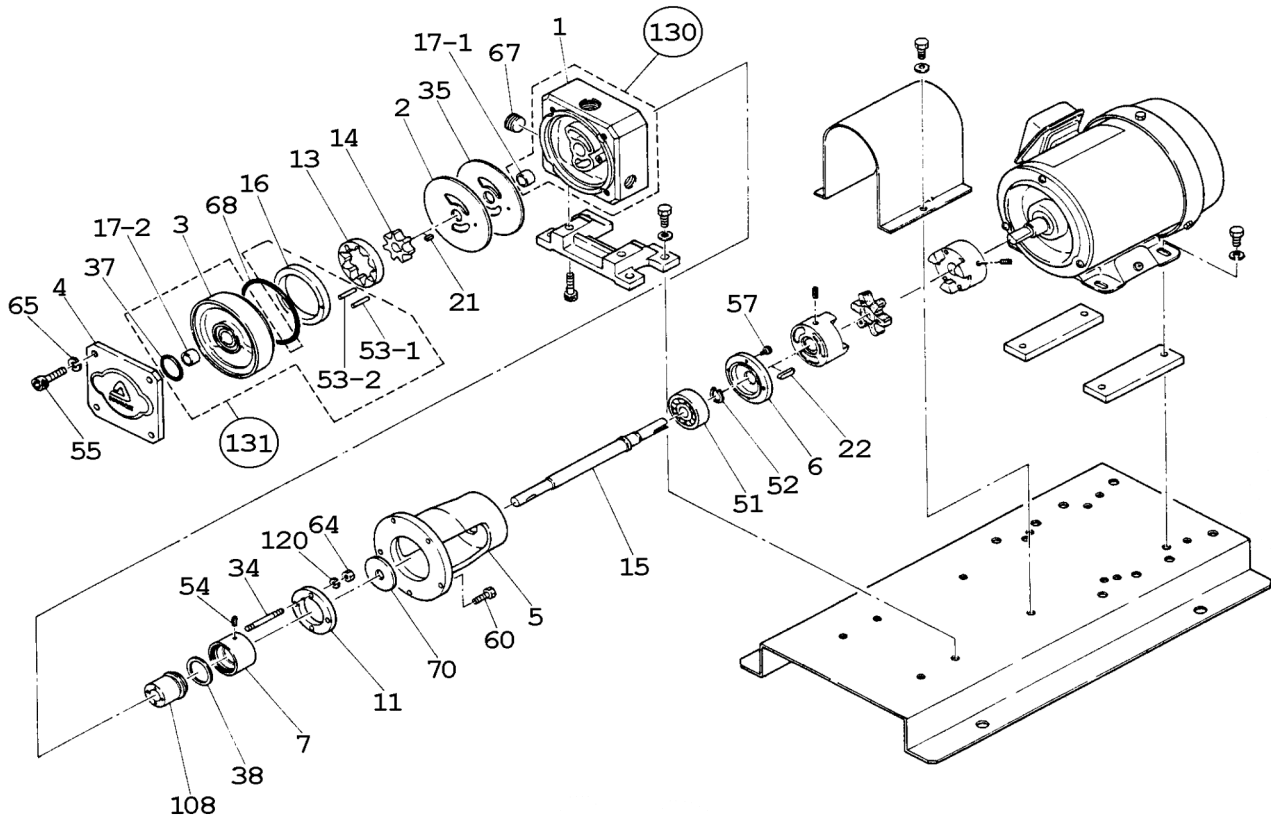


# GX-12S (Mechanical Seal)

No. 73-049  
Mar. 01, 2006



## Wet End Parts

Item	Description	Q'ty	Remark	Part No.	
≈1	Port Housing	1	SCS14	G0001	
2	Side Plate	1	SUS316	G0144	
←♥3	Gear Housing	1	SUS316	G0145	
4	Cover	1	SCS14	G0008	
7	Seal Case	1	SUS316	G0011	
13	Internal Gear	1	SiC	G0148	
14	Pinion	K	1	SiC	G0149
		N	1	Si <sub>3</sub> N <sub>4</sub>	G0293
15	Shaft	K	1	S6+Cr <sub>2</sub> O <sub>3</sub>	G0151
		C	1	PSL)	G0152
16	Bearing	←K	1	SiC	G0153
		♥C	1	Carbon	G0154
17-1	Bearing (Shaft)	AK	1	SiC	G0155
		≈C	1	Carbon	G0156
17-2	Bearing (Shaft)	←K	1	SiC	G0160
		♥C	1	Carbon	G0161
21	Key	1	SUS316	G0157	
35	Gasket	1	PTFE	G0025	
←♥37	O-Ring, P-22A	1	PTFE	G0026	
38	Gasket	1	PTFE	G0027	
←♥53-1	Dowel Pin (S6)	1	2,5x12	G0158	
←♥53-2	Dowel Pin (S6)	1	1,6x12	G0159	
67	Plug (R 3/8")	1	SUS316	G0037	
68	O-Ring, G-65	1	PTFE	G0038	
108	Mechanical Seal	C	1	SiC <sub>x</sub> SiC	G0040
		M	1	CExCarbon	G0041

## Unit Parts

Item	Description	Q'ty	Remark	Part No.	
130	Port Housing+Bearing	K	1	Items w//	G0142
		C	1	Items w/≈	G0143
131	Gear Housing Unit	K	1	Items w/←	G0146
		C	1	Items w/♥	G0147

## Other Parts

Item	Description	Q'ty	Remark	Part No.
5	Bearing Housing	1	FC200	G0009
6	Bearing Cover	1	Steel	G0010
11	Seal Case Retainer	1	SUS304	G0012
22	Key	1	Steel	G0023
34	Stud Bolt	2	S4 equiv.	G0024
51	Ball Bearing	1	Steel	G0028
52	Stop Ring	1	Steel	G0029
54	Spring Pin	1	S4 equiv.	G0031
55	Bolt (M6x40)	4	S4 equiv.	G0032
57	Bolt (M3x5)	4	Steel	G0033
60	Bolt (M5x15)	5	S4 equiv.	G0034
64	Nut (M5)	2	S4 equiv.	G0035
65	S. Washer (M6)	4	S4 equiv.	G0036
70	Slinger	1	NBR	G0039
120	S. Washer (M5)	2	S4 equiv.	G0042

△ Subject to change without prior notice!    △ Actual pump may differ from the exploded view!