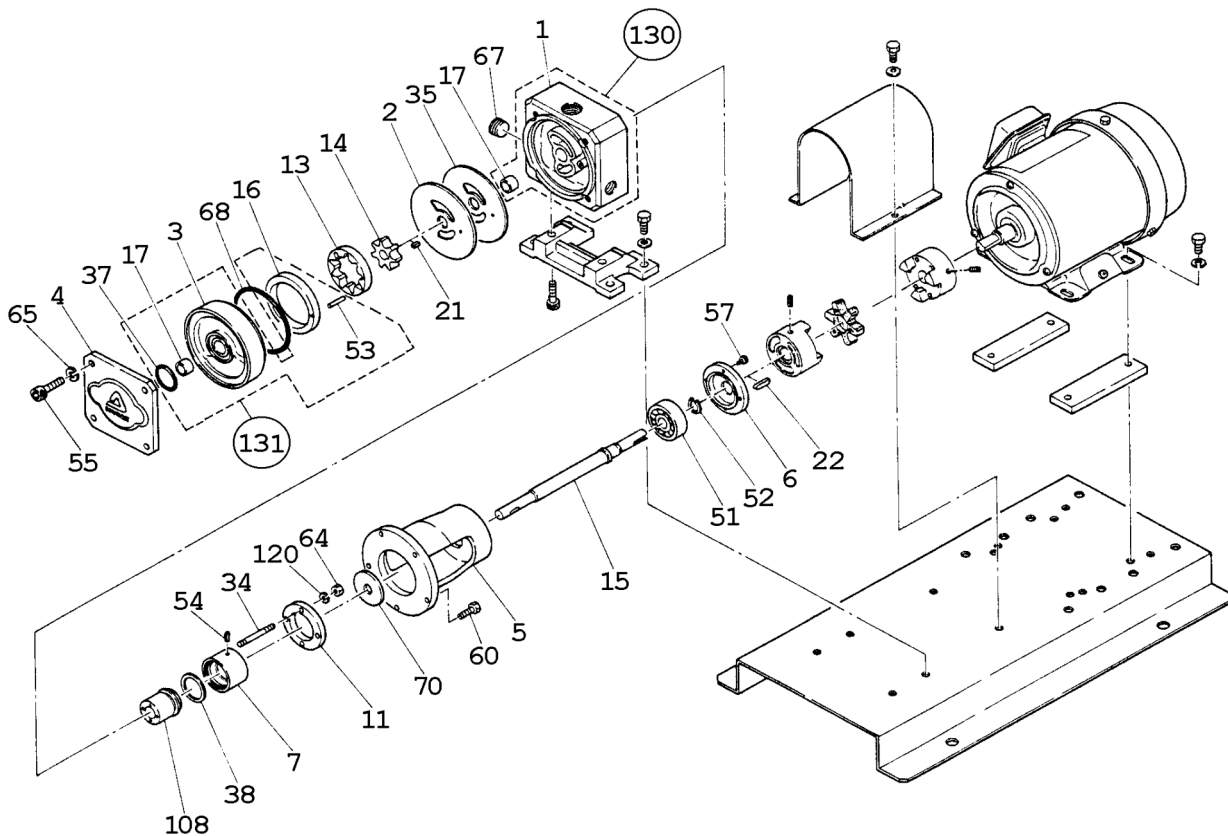


GX-15S (Mechanical Seal)

No. 73-050
Mar. 01, 2006



Wet End Parts

Item	Description	Q'ty	Remark	Part No.	
1	Port Housing	1	SCS14	G0001	
2	Side Plate	1	SUS316	G0004	
3	Gear Housing	1	SCS14	G0005	
4	Cover	1	SCS14	G0008	
7	Seal Case	1	SUS316	G0011	
13	Internal Gear	1	SiC	G0013	
14	Pinion	K	1	SiC	G0014
		N	1	Si ₃ N ₄	G0294
15	Shaft	K	1	S6+Cr ₂ O ₃	G0016
		C	1	PSL}	G0017
16	Bearing	←K	1	SiC	G0018
		♥C	1	Carbon	G0019
17	Bearing (Shaft)	←K	2	SiC	G0020
		≈♥C	2	Carbon	G0021
21	Key	1	SUS304	G0022	
35	Gasket	1	PTFE	G0025	
37	O-Ring, P-22A	1	PTFE	G0026	
38	Gasket	1	PTFE	G0027	
53	Dowel Pin (S6)	1	2,5x20	G0030	
67	Plug (R 3/8")	1	SUS316	G0037	
68	O-Ring, G-65	1	PTFE	G0038	
108	Mechanical Seal	C	1	SiC _x SiC	G0040
		M	1	CExCarbon	G0041

Unit Parts

Item	Description	Q'ty	Remark	Part No.	
130	Port Housing+ Bearing	K	1	Items w/ /	G0002
		C	1	Items w/ ≈	G0003
131	Gear Housing Unit	K	1	Items w/ ←	G0006
		C	1	Items w/ ♥	G0104

Other Parts

Item	Description	Q'ty	Remark	Part No.
5	Bearing Housing	1	FC200	G0009
6	Bearing Cover	1	Steel	G0010
11	Seal Case Retainer	1	SUS304	G0012
22	Key	1	Steel	G0023
34	Stud Bolt	2	S4 equiv.	G0024
51	Ball Bearing	1	Steel	G0028
52	Stop Ring	1	Steel	G0029
54	Spring Pin	1	S4 equiv.	G0031
55	Bolt (M6x40)	4	S4 equiv.	G0032
57	Bolt (M3x5)	4	Steel	G0033
60	Bolt (M5x15)	5	S4 equiv.	G0034
64	Nut (M5)	2	S4 equiv.	G0035
65	S. Washer (M6)	4	S4 equiv.	G0036
70	Slinger	1	NBR	G0039
120	S. Washer (M5)	2	S4 equiv.	G0042

⚠ Subject to change without prior notice! ⚠ Actual pump may differ from the exploded view!