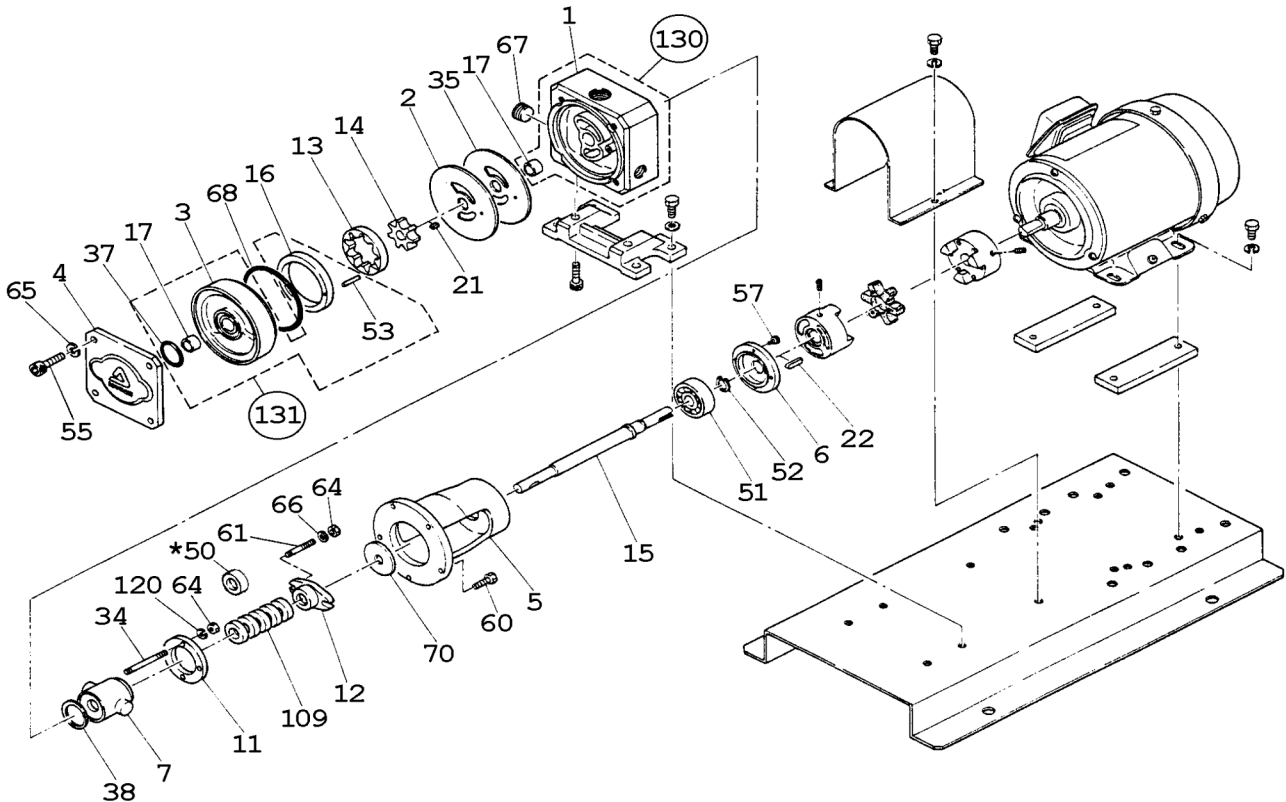


GX-25S (Gland Packing)

No. 73-055
Mar. 01, 2006



Wet End Parts

Item	Description	Q'ty	Remark	Part No.	
1	Port Housing	1	SCS14	G0051	
2	Side Plate	1	SUS316	G0054	
3	Gear Housing	1	SCS14	G0055	
4	Cover	1	SCS14	G0058	
7	Seal Case	G	1	SCS14	G0093
		W	1	SCS14	G0094
12	Packing Retainer	1	SCS14	G0095	
13	Internal Gear	1	SiC	G0063	
14	Pinion	K	1	SiC	G0064
		N	1	Si ₃ N ₄	G0295
15	Shaft	K	1	S6+Cr ₂ O ₃	G0096
		C	1	PSL)	G0067
16	Bearing	←K	1	SiC	G0068
		♥C	1	Carbon	G0069
17	Bearing (Shaft)	←K	2	SiC	G0070
		≈♥C	2	Carbon	G0071
21	Key	1	SUS304	G0072	
35	Gasket	1	PTFE	G0075	
37	O-Ring, P-30	1	PTFE	G0076	
38	Gasket	1	PTFE	G0077	
*50	Lantern Ring	W	1	GFRPTFE	G0098
53	Dowel Pin (S6)	1	3x28	G0080	
67	Plug (R 3/4")	1	SUS316	G0087	
68	O-Ring, G-95	1	PTFE	G0088	
109	Gland Packing	1	PTFE	G0101	

Unit Parts

Item	Description	Q'ty	Remark	Part No.	
130	Port Housing+ Bearing	K	1	Items w/ /	G0052
		C	1	Items w/ ≈	G0053
131	Gear Housing Unit	K	1	Items w/ ←	G0056
		C	1	Items w/ ♥	G0126

Other Parts

Item	Description	Q'ty	Remark	Part No.
5	Bearing Housing	1	FC200	G0059
6	Bearing Cover	1	Steel	G0060
11	Seal Case Retainer	1	SUS304	G0062
22	Key	1	Steel	G0073
34	Stud Bolt	2	S4 equiv.	G0097
51	Ball Bearing	1	Steel	G0078
52	Stop Ring	1	Steel	G0079
55	Bolt (M10x50)	4	S4 equiv.	G0082
57	Bolt (M4x6)	4	Steel	G0083
60	Bolt (M6x15)	5	S4 equiv.	G0084
61	Stud Bolt (M6x35)	2	S4 equiv.	G0099
64	Nut (M6)	4	S4 equiv.	G0085
65	S. Washer (M10)	4	S4 equiv.	G0086
66	P. Washer (M6)	2	S4 equiv.	G0100
70	Slinger	1	NBR	G0089
120	S. Washer (M6)	2	S4 equiv.	G0036

* Pos. 50 (Lantern Ring) is only for "W" (Water Addition) Type.

△ Subject to change without prior notice! △ Actual pump may differ from the exploded view!