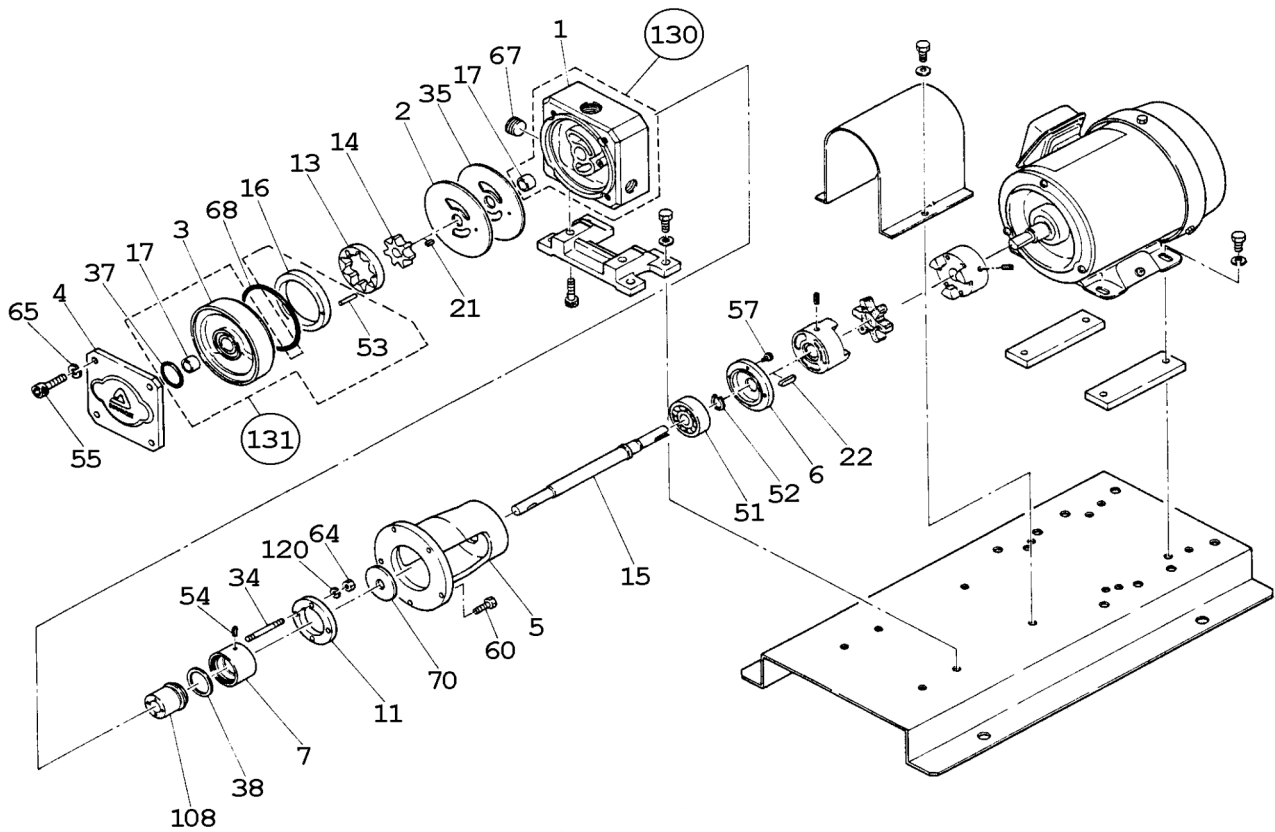


GX-25S (Mechanical Seal)

No. 73-051
Mar. 01, 2006



Wet End Parts

Item	Description	Q'ty	Remark	Part No.	
1	Port Housing	1	SCS14	G0051	
2	Side Plate	1	SUS316	G0054	
3	Gear Housing	1	SCS14	G0055	
4	Cover	1	SCS14	G0058	
7	Seal Case	1	SUS316	G0061	
13	Internal Gear	1	SiC	G0063	
14	Pinion	K	1	SiC	G0064
		N	1	Si ₃ N ₄	G0295
15	Shaft	K	1	S6+Cr ₂ O ₃	G0066
		C	1	PSL)	G0067
16	Bearing	←K	1	SiC	G0068
		♥C	1	Carbon	G0069
17	Bearing (Shaft)	←K	2	SiC	G0070
		≈♥C	2	Carbon	G0071
21	Key	1	SUS304	G0072	
35	Gasket	1	PTFE	G0075	
37	O-Ring, P-30	1	PTFE	G0076	
38	Gasket	1	PTFE	G0077	
53	Dowel Pin (S6)	1	3x28	G0080	
67	Plug (R 3/4")	1	SUS316	G0087	
68	O-Ring, G-95	1	PTFE	G0088	
108	Mechanical Seal	C	1	SiC _x SiC	G0090
		M	1	CExCarbon	G0091

Unit Parts

Item	Description	Q'ty	Remark	Part No.	
130	Port Housing+ Bearing	K	1	Items w/ /	G0052
		C	1	Items w/ ≈	G0053
131	Gear Housing Unit	K	1	Items w/ ←	G0056
		C	1	Items w/ ♥	G0126

Other Parts

Item	Description	Q'ty	Remark	Part No.
5	Bearing Housing	1	FC200	G0059
6	Bearing Cover	1	Steel	G0060
11	Seal Case Retainer	1	SUS304	G0062
22	Key	1	Steel	G0073
34	Stud Bolt	2	S4 equiv.	G0074
51	Ball Bearing	1	Steel	G0078
52	Stop Ring	1	Steel	G0079
54	Spring Pin	1	S4 equiv.	G0081
55	Bolt (M10x50)	4	S4 equiv.	G0082
57	Bolt (M4x6)	4	Steel	G0083
60	Bolt (M6x15)	5	S4 equiv.	G0084
64	Nut (M6)	2	S4 equiv.	G0085
65	S. Washer (M10)	4	S4 equiv.	G0086
70	Slinger	1	NBR	G0089
120	S. Washer (M6)	2	S4 equiv.	G0036

△ Subject to change without prior notice! △ Actual pump may differ from the exploded view!