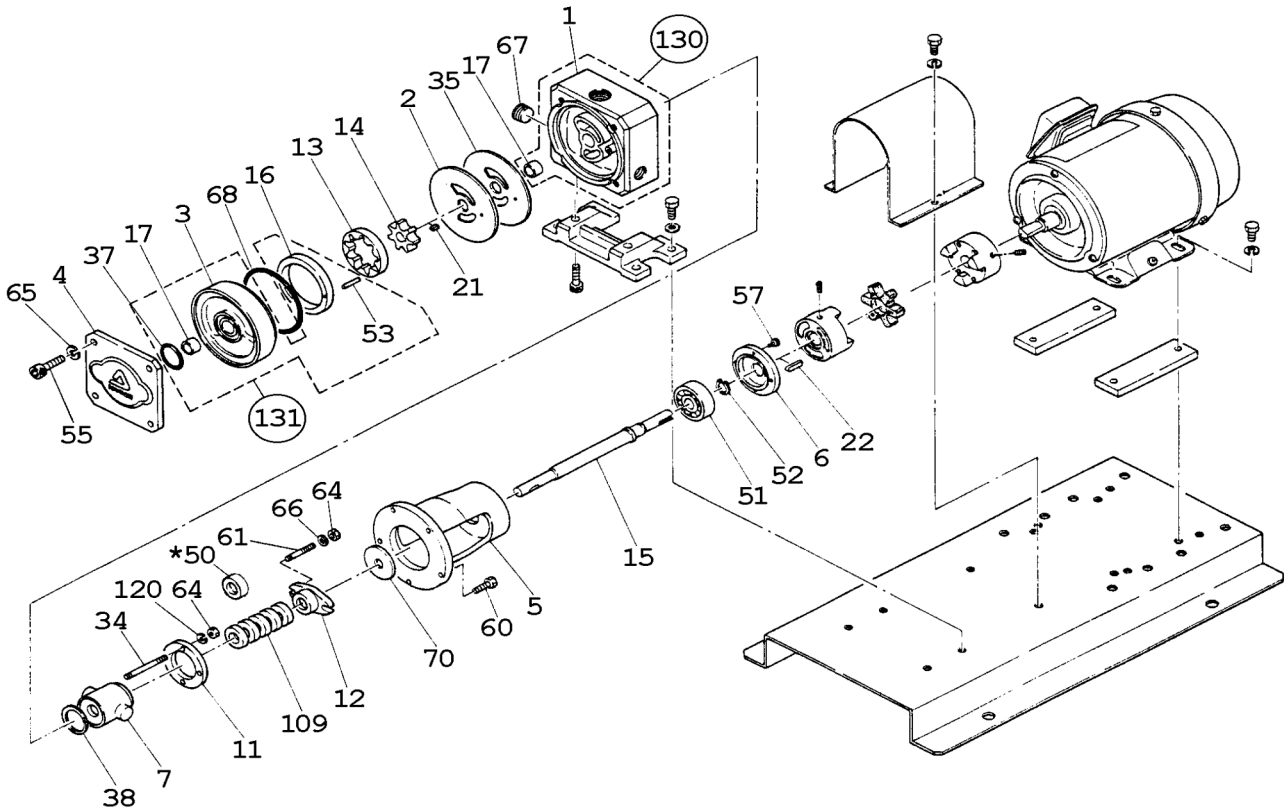


GX-32S (Gland Packing)

No. 73-056
Mar. 01, 2006



Wet End Parts

Item	Description	Q'ty	Remark	Part No.
≈1	Port Housing	1	SUS316	G0162
2	Side Plate	1	SUS316	G0165
←♥3	Gear Housing	1	SUS316	G0166
4	Cover	1	SCS14	G0169
7	Seal Case	G	SCS14	G0202
		W	SCS14	G0203
12	Packing Retainer	1	SCS14	G0204
13	Internal Gear	1	SiC	G0174
14	Pinion	K	SiC	G0175
		N	Si ₃ N ₄	G0296
15	Shaft	K	S6+Cr ₂ O ₃	G0205
		C	PSL}	G0178
		←K	SiC	G0179
16	Bearing	♥C	Carbon	G0180
		←K	SiC	G0228
17	Bearing (Shaft)	≈♥C	Carbon	G0199
		←K	SiC	G0181
21	Key	1	SUS316	G0181
35	Gasket	1	PTFE	G0184
←♥37	O-Ring, P-42	1	PTFE	G0185
38	Gasket	1	PTFE	G0186
*50	Lantern Ring	W	GFRPTFE	G0207
←♥53	Dowel Pin (S6)	1	3x32	G0200
67	Plug (R 1")	1	SUS316	G0194
68	O-Ring, G-115	1	PTFE	G0195
109	Gland Packing	1	PTFE	G0229

Unit Parts

Item	Description	Q'ty	Remark	Part No.
130	Port Housing+ Bearing	K	Items w//	G0163
		C	Items w/ ≈	G0164
131	Gear Housing Unit	K	Items w/ ←	G0167
		C	Items w/ ♥	G0168

Other Parts

Item	Description	Q'ty	Remark	Part No.
5	Bearing Housing	1	FC200	G0170
6	Bearing Cover	1	Steel	G0171
11	Seal Case Retainer	1	SUS304	G0173
22	Key	1	Steel	G0182
34	Stud Bolt	2	S4 equiv.	G0206
51	Ball Bearing	1	Steel	G0187
52	Stop Ring	1	Steel	G0188
55	Bolt (M12x65)	4	S4 equiv.	G0190
57	Bolt (M5x10)	4	Steel	G0191
60	Bolt (M8x17)	5	S4 equiv.	G0192
61	Stud Bolt (M6x32,5)	2	S4 equiv.	G0208
64	Nut (M6)	2	S4 equiv.	G0085
65	S. Washer (M12)	4	S4 equiv.	G0193
66	P. Washer (M6)	2	S4 equiv.	G0100
70	Slinger	1	NBR	G0196
120	S. Washer (M6)	2	S4 equiv.	G0036

* Pos. 50 (Lantern Ring) is only for "W" (Water Addition) Type.

△ Subject to change without prior notice! △ Actual pump may differ from the exploded view!