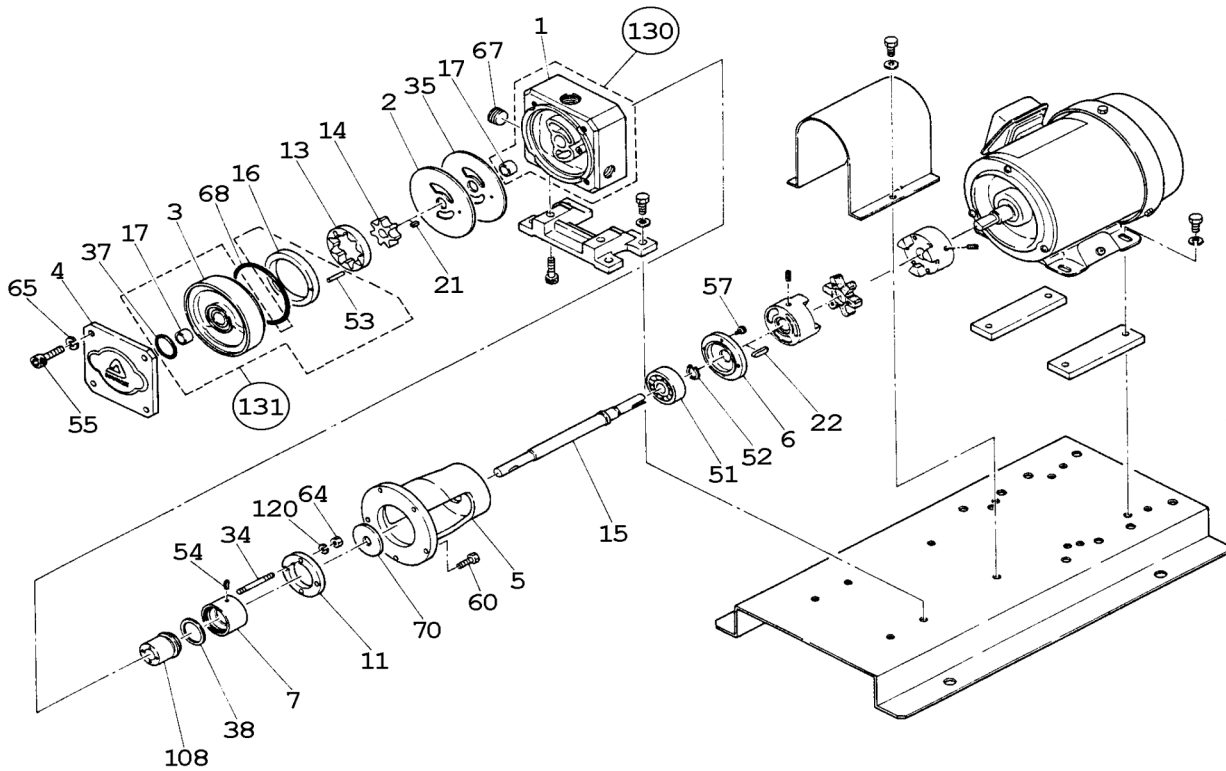


GX-32S (Mechanical Seal)

No. 73-052
Mar. 01, 2006



Wet End Parts

Item	Description	Q'ty	Remark	Part No.	
≈1	Port Housing	1	SUS316	G0162	
2	Side Plate	1	SUS316	G0165	
←♥3	Gear Housing	1	SUS316	G0166	
4	Cover	1	SCS14	G0169	
7	Seal Case	1	SUS316	G0172	
13	Internal Gear	1	SiC	G0174	
14	Pinion	K	1	SiC	G0175
		N	1	Si ₃ N ₄	G0296
15	Shaft	K	1	S6+Cr ₂ O ₃	G0177
		C	1	PSL)	G0178
16	Bearing	←K	1	SiC	G0179
		♥C	1	Carbon	G0180
17	Bearing (Shaft)	←K	2	SiC	G0228
		≈♥C	2	Carbon	G0199
21	Key	1	SUS316	G0181	
35	Gasket	1	PTFE	G0184	
←♥37	O-Ring, P-42	1	PTFE	G0185	
38	Gasket	1	PTFE	G0186	
←♥53	Dowel Pin (S6)	1	3x32	G0200	
67	Plug (R 1")	1	SUS316	G0194	
68	O-Ring, G-115	1	PTFE	G0195	
108	Mechanical Seal	C	1	SiC _x SiC	G0197
		M	1	CExCarbon	G0198

Unit Parts

Item	Description	Q'ty	Remark	Part No.	
130	Port Housing+ Bearing	K	1	Items w/ /	G0163
		C	1	Items w/ ≈	G0164
131	Gear Housing Unit	K	1	Items w/ ←	G0167
		C	1	Items w/ ♥	G0168

Other Parts

Item	Description	Q'ty	Remark	Part No.
5	Bearing Housing	1	FC200	G0170
6	Bearing Cover	1	Steel	G0171
11	Seal Case Retainer	1	SUS304	G0173
22	Key	1	Steel	G0182
34	Stud Bolt	2	S4 equiv.	G0183
51	Ball Bearing	1	Steel	G0187
52	Stop Ring	1	Steel	G0188
54	Spring Pin	1	S4 equiv.	G0189
55	Bolt (M12x65)	4	S4 equiv.	G0190
57	Bolt (M5x10)	4	Steel	G0191
60	Bolt (M8x17)	5	S4 equiv.	G0192
64	Nut (M6)	2	S4 equiv.	G0085
65	S. Washer (M12)	4	S4 equiv.	G0193
70	Slinger	1	NBR	G0196
120	S. Washer (M6)	2	S4 equiv.	G0036

△ Subject to change without prior notice! △ Actual pump may differ from the exploded view!