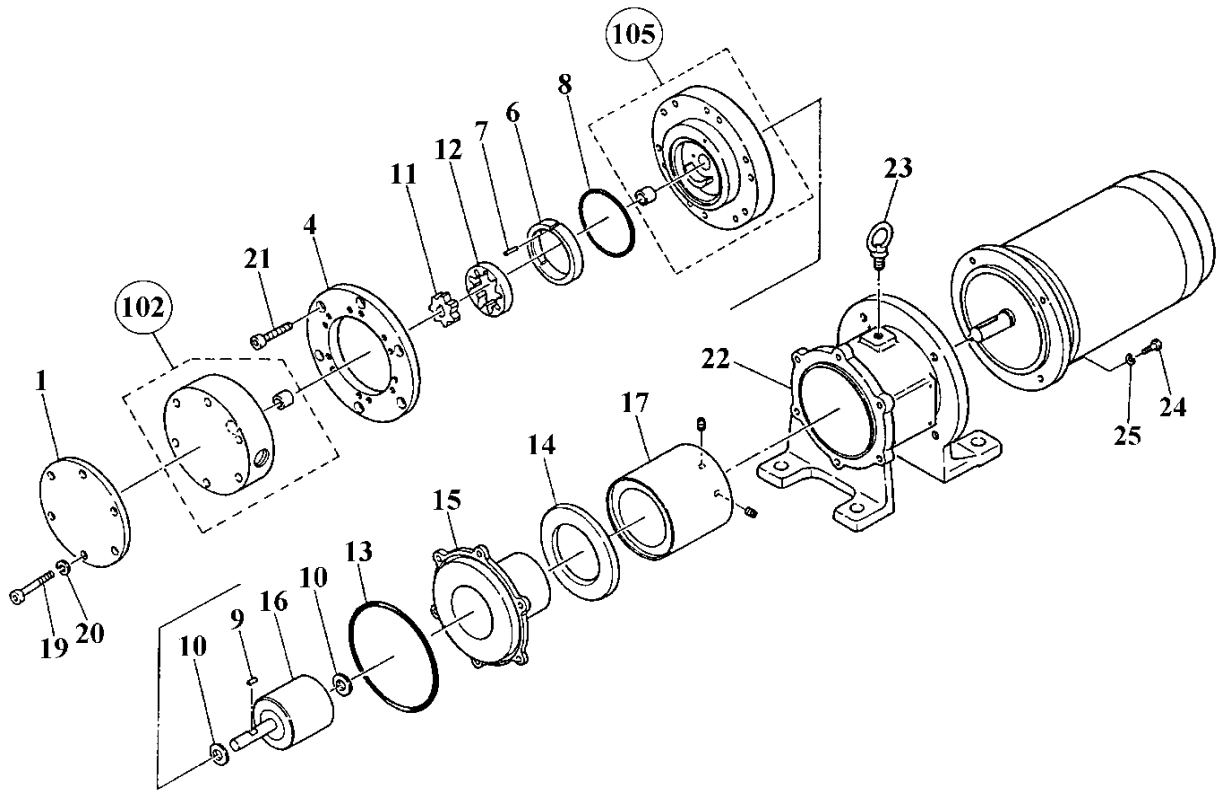


GM-15V (PVC)

No. 73-057
July 01, 2020



Item	Description	Type	Q'ty	Material	GM-15VKC		GM-15VKK	
					Part No.		Part No.	
1	Front Plate		1	SUS304	G0231		↔	
4	Sub-Bracket		1	Steel	G0233		↔	
6	Bearing	VKC	1	High Density	G0019			
		VKK	1	SiC			G0018	
7	Dowel Pin		1	Alumina Ceramic	G0235		↔	
8	O-Ring, G-65	VK()V	1	FKM-A	G0236		↔	
		VK()E	1	EPDM	G0237		↔	
9	Key		1	PVC	G0238		↔	
10	Spacer		2	GFRPTFE	G0239		↔	
11	Pinion		1	SiC	G0014		↔	
12	Internal Gear		1	SiC	G0013		↔	
13	O-Ring, AS568-244	VK()V	1	FKM-A	G0241		↔	
		VK()E	1	EPDM	G0242		↔	
14	Reinforcing Ring		1	SUS304	G0243		↔	
15	Rear Casing		1	CFRETFE+SiC	G0244		↔	
16	Magnet Capsule Unit (0,37kW)		1	PVC+Si ₃ N ₄ +CFRV	G0245		↔	
17	Drive Magnet Unit (0,37kW)		1	Ferrite+Al.+Steel	G0246		↔	
19	Hex. Socket Head Bolt (M6x45)		6	SUS304 equivalent	G0248		↔	
20	Spring Washer (M6)		6	SUS304 equivalent	G0036		↔	
21	Hex. Socket Head Bolt (M6x35)		6	SUS304 equivalent	G0249		↔	
22	Foot Support		1	FC200	G0250		↔	
23	Eye Bolt (M8)		1	Steel	G0113		↔	
24	Hex. Head Bolt (M8x25)		4	SUS304 equivalent	G0116		↔	
25	Spring Washer (M8)		4	SUS304 equivalent	G0123		↔	
102	Port Housing In/Outlet: Rc 3/8"	VKC	1	PVC+H.D.Carbon	G0286			
		VKK	1	PVC+SiC			G0288	
105	Gear Housing Unit	VKC	1	PVC+H.D.Carbon	G0234			
		VKK	1	PVC+SiC			G0254	

⚠ Subject to change without prior notice! ⚠ Actual pump may differ from the exploded view!