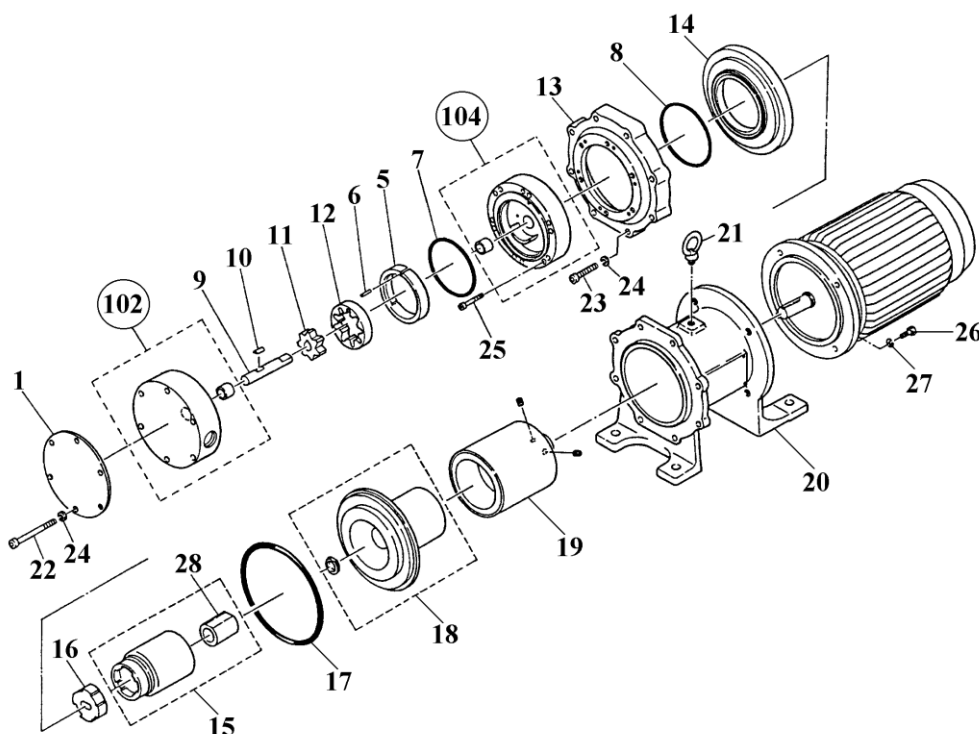


# GM-25V (PVC)

No. 73-144  
Apr. 01, 2007



Item	Description	Type	Q'ty	Material	GM-25VKC		GM-25VKK	
					Part No.	Part No.	Part No.	Part No.
1	Front Plate		1	SUS 304	G0255		↔	
5	Bearing	VKC•K	1	H.D. Carbon • SiC	G0069		G0068	
6	Pin		1	Alumina Ceramic	G0259		↔	
7	O-Ring, G-95	VK( )V	1	FKM-A	G0260		↔	
		VK( )E	1	EPDM	G0261		↔	
8	O-Ring, G-105	VK( )V	1	FKM-A	G0262		↔	
		VK( )E	1	EPDM	G0263		↔	
9	Shaft		1	Si <sub>3</sub> N <sub>4</sub> (Silicon Nitride)	G0264		↔	
10	Key		1	Vinyl Ester+CF	G0265		↔	
11	Pinion		1	SiC	G0064		↔	
12	Internal Gear		1	SiC	G0063		↔	
13	Sub-Bracket		1	FC200	G0266		↔	
14	Seal Ring		1	PVC	G0267		↔	
**15	Magnet Capsule Unit	VKC•K	1	ETFE+Carbon • SiC	G0268		G0284	
16	Drive Boss		1	PVC	G0269		↔	
17	O-Ring, G-160	VK( )V	1	FKM-A	G0270		↔	
		VK( )E	1	EPDM	G0271		↔	
**18	Rear Casing		1	CFRETFE+Ceramic	G0272		↔	
19	Drive Magnet Unit (0,75kW)		1	Ferrite+Al.+Steel	G0273		↔	
20	Foot Support		1	FC200	G0274		↔	
21	Eye Bolt (M10)		1	Steel	G0134		↔	
22	Hex. Socket Head Bolt (M8x90)		6	SUS304 equivalent	G0275		↔	
23	Hex. Socket Head Bolt (M8x40)		8	SUS304 equivalent	G0276		↔	
24	Spring Washer (M8)		14	SUS304 equivalent	G0252		↔	
25	Hex. Socket Head Bolt (M5x35)		6	SUS304 equivalent	G0277		↔	
26	Hex. Head Bolt (M10x25)		4	SUS304 equivalent	G9985		↔	
27	Spring Washer (M10)		4	SUS304 equivalent	G0086		↔	
28	Bearing	VKC•K	1	H.D. Carbon • SiC	G9987		G9986	
102	Port Housing In/Outlet: Rc 3/4"	VKC	1	PVC+H.D.Carbon	G0290			
		VKK	1	PVC+SiC			G0292	
104	Gear Housing Unit	VKC	1	PVC+H.D.Carbon	G0257			
		VKK	1	PVC+SiC			G0283	

⚠ Subject to change without prior notice! ⚠ Actual pump may differ from the exploded view!