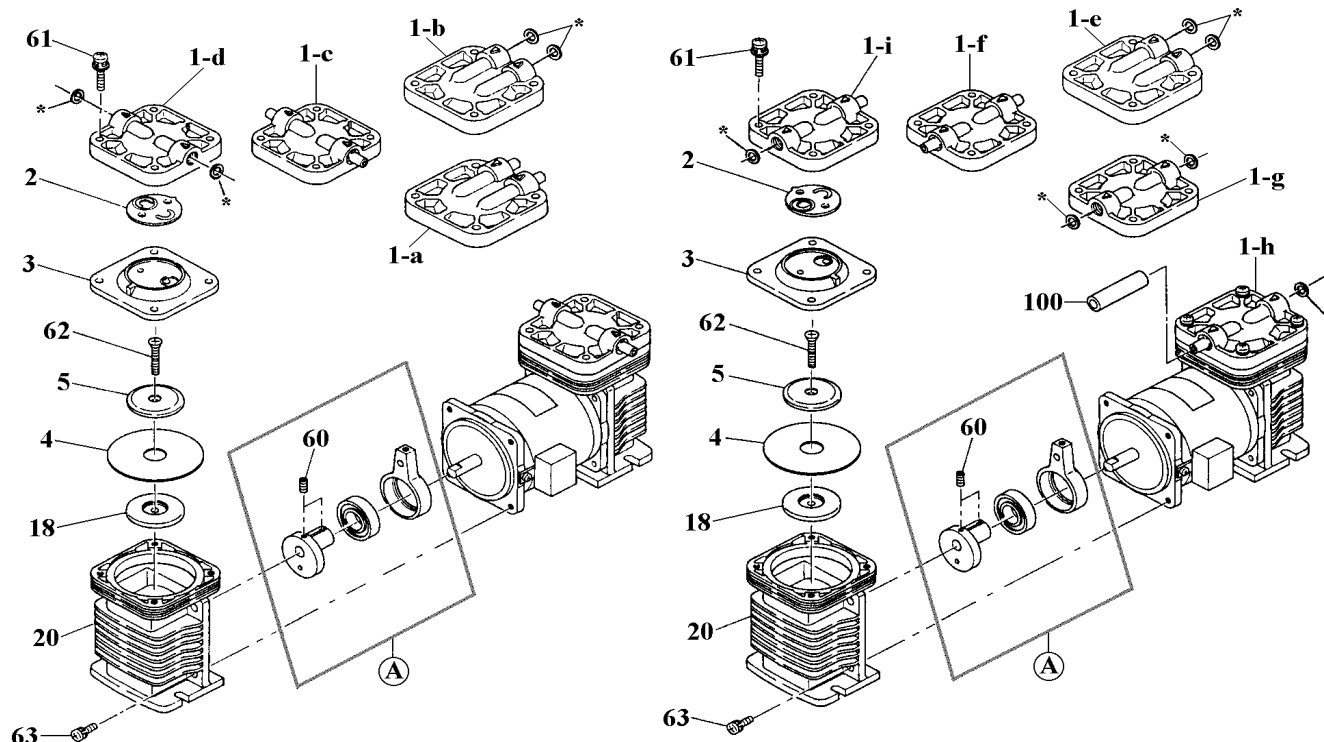


APN-P•S 110 (Twin Head)

No. 91-023
Mar. 01, 2006



APN-P110					
Item	Description	Q'ty	Remark	Part No.	
1-a	Pump Head (GFRPP)	K	2	Hose	AP0414
*1-b		K X1	2	G $\frac{1}{4}$	AP0538
1-b		K X	2	Rc $\frac{1}{4}$	AP0415
1-c		L	2	Hose	AP0416
*1-d		L X1	2	G $\frac{1}{4}$	AP0541
1-d		L X	2	Rc $\frac{1}{4}$	AP0417
2	Valve	V	2	FKM	AP0268
		E	2	EPDM	AP0255
		N	2	NBR	AP0324
3	Valve Seat	2	GFRPP	AP0418	
4	Diaphragm	V	2	FKM	AP0515
		E	2	EPDM	AP0516
		N	2	NBR	AP0517
5	Retainer Plate	2	GFRPPS	AP0422	
18	Under Ret. Plate	2	GFRPPS	AP0425	
20	Bracket	2	ADC12	AP0437	
60	Setscrew (Steel)	4	M4x8	AP0308	
61	Screw+W. (S4 eq.)	8	M5x30	AP0431	
62	Screw (S4 eq.)	2	M5x20	AP0432	
63	Screw+W. (Steel)	8	M5x16	AP0087	
A	Connect. Rod Unit	2		AP0428	
*	Gasket	4	FKM	AP0536	

* Only for "X1" (G $\frac{1}{4}$) type, two gaskets each for Inlet and Outlet connections are required.

APN-S110					
Item	Description	Q'ty	Remark	Part No.	
*1-e	Pump Head (GFRPP)	K X1	2	G $\frac{1}{4}$	AP0538
1-f		L	2	Hose	AP0416
*1-g		L X1	2	G $\frac{1}{4}$	AP0541
*1-h		L X1	1	G $\frac{1}{4}$ x	AP0539
*1-i		L X1	1	Ø8mm	AP0540
1-h		L X	1	Rc $\frac{1}{4}$ x	AP0435
2	Vave	V	2	FKM	AP0268
		E	2	EPDM	AP0255
		N	2	NBR	AP0324
3	Valve Seat	2	GFRPP	AP0418	
4	Diaphragm	V	2	FKM	AP0515
		E	2	EPDM	AP0516
		N	2	NBR	AP0517
5	Retainer Plate	2	GFRPPS	AP0422	
18	Under Ret. Plate	2	GFRPPS	AP0425	
20	Bracket	2	ADC12	AP0437	
60	Setscrew (Steel)	4	M4x8	AP0308	
61	Screw+W. (S4 eq.)	8	M5x30	AP0431	
62	Screw (S4 eq.)	2	M5x20	AP0432	
63	Screw+W. (Steel)	8	M5x16	AP0087	
100	Hose	V	1	FKM	AP0440
		E	1	EPDM	AP0441
		N	1	NBR	AP0442
A	Connect. Rod Unit	2		AP0428	
*	Gasket	4	FKM	AP0536	

* Only for "X1" (G $\frac{1}{4}$) type, one or two gaskets each for Inlet and Outlet connections are required.

△ Subject to change without prior notice! △ Actual pump may differ from the exploded view!