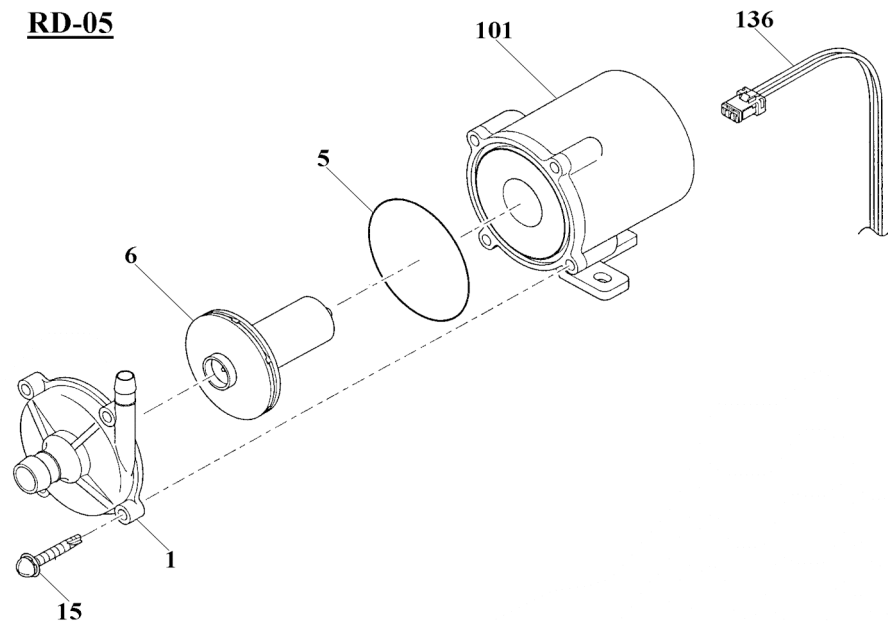


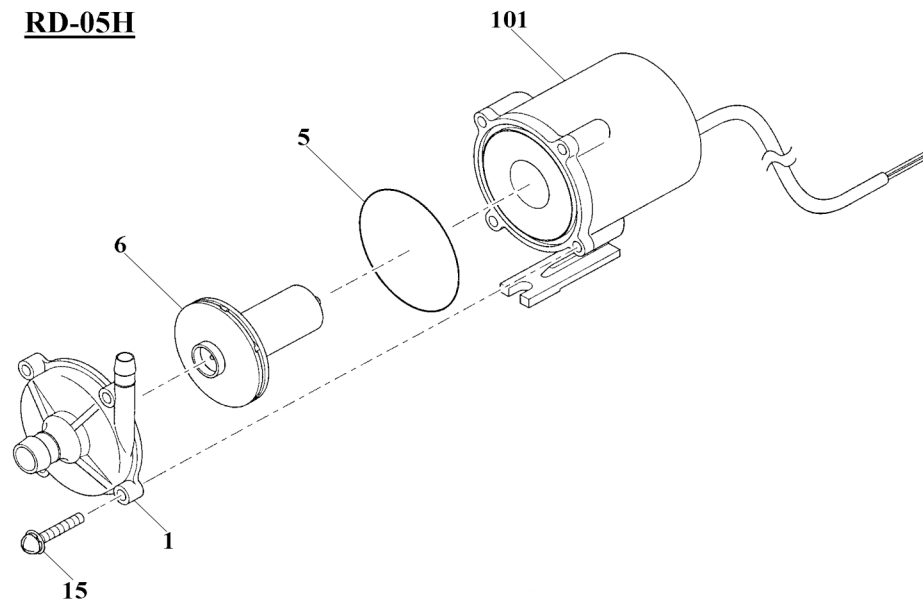
RD-05 • RD-05H

No. 72-001
Mar. 01, 2006

RD-05



RD-05H



Item	Description	Remark	Q'ty	RD-05	
				Part No.	
1	Front Casing Unit	GFRPPE+PPS	1	RD0018	
		"C" GFRPPE+Carbon	1	RD0019	
5	O-Ring <S-48>	FKM	1	RD0023	
		EPDM	1	RD0024	
6	Impeller Unit	GFRPP+CE	1	RD0020	
15	Screw+S.W.+P.W.	M4x25 SUS304 equiv.	4	RD0016	
101	Motor [DC24V] 3,5W with Rear Casing Unit	<PPS Bearing>	1	RD0014	
		"C" <Carbon Bearing>	1	RD0015	
136	Lead Wire Assembly	L: 500 mm	1	RD0017	

Item	Description	Remark	Q'ty	RD-05H	
				Part No.	
1	Front Casing Unit	GFRPPE+PPS	1	RD0018	
		"C" GFRPPE+Carbon	1	RD0019	
5	O-Ring <S-48>	FKM	1	RD0023	
		EPDM	1	RD0024	
6	Impeller Unit	GFRPP+CE	1	RD0020	
15	Screw+S.W.+P.W.	M4x20 SUS304 equiv.	4	RD0025	
101	Motor [DC24V] 17W with Rear Casing Unit	<PPS Bearing>	1	RD0021	
		"C" <Carbon Bearing>	1	RD0022	

⚠ Subject to change without prior notice! ⚠ Actual pump may differ from the exploded view!