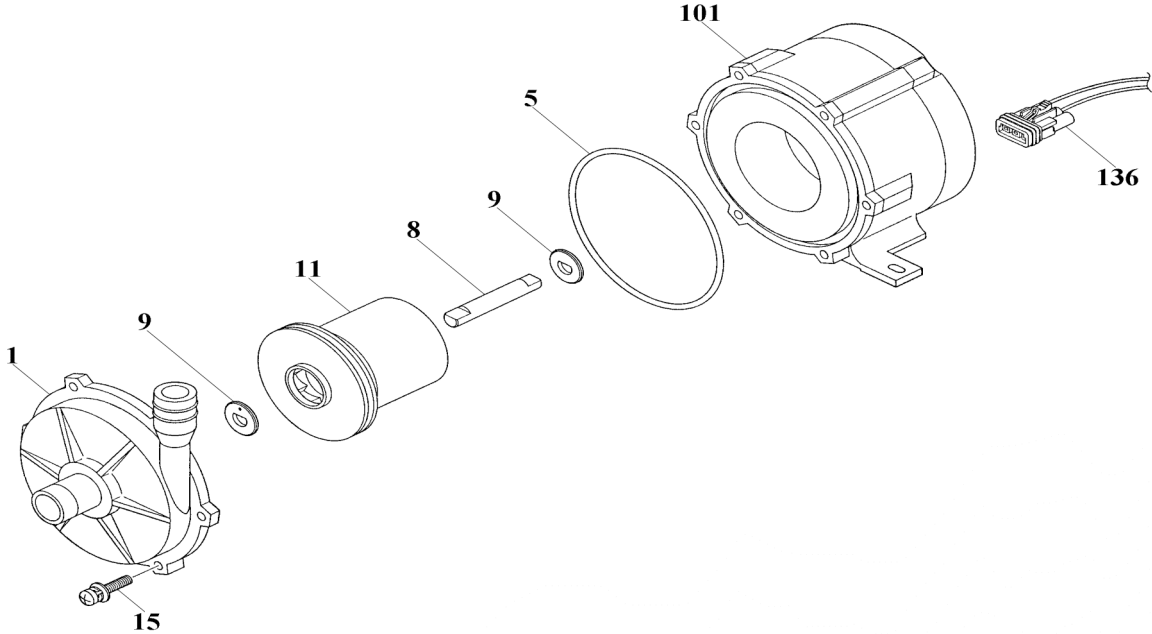


RD-20 • RD-30

No. 72-002
Mar. 01, 2006



Item	Description	Q'ty	Remark	RD-20		RD-30	
				Part No.		Part No.	
1	Front Casing	1	PPE	RD0001		ï	
5	O-Ring <G-80>	1	FKM	RD0002		ï	
		1	EPDM	RD0003		ï	
8	Spindle	1	Alumina Ceramic	RD0004		ï	
9	Thrust Ring	2	Alumina Ceramic	RD0005		ï	
11	Impeller Unit		GFRPP+PTFE+PPE	RD0006		RD0008	
		"C"	GFRPP+Carbon+PPE	RD0007		RD0009	
15	Screw with S.W.+P.W.	M4x20	SUS304 equivalent	RD0010		ï	
101	Motor [DC24V] 25W•45W	1	with R. Casing (PPE)	RD0011		RD0012	
136	Lead Wire Assembly	1	L: 500mm	RD0013		ï	

⚠ Subject to change without prior notice! ⚠ Actual pump may differ from the exploded view!