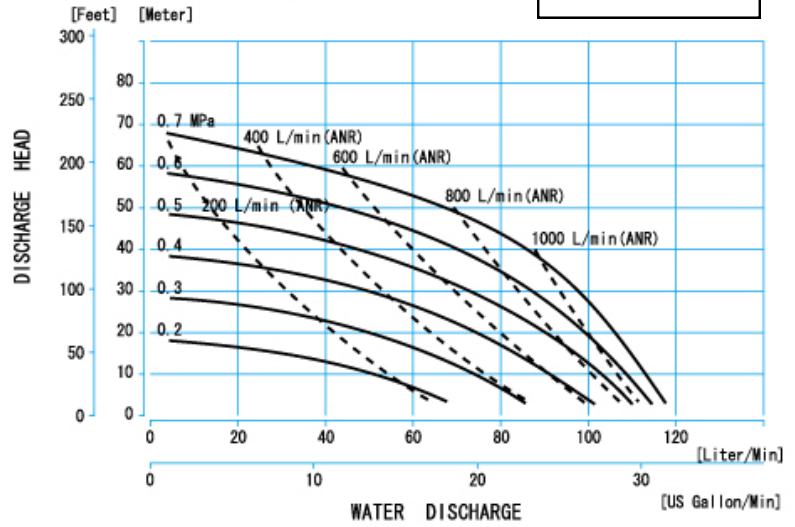
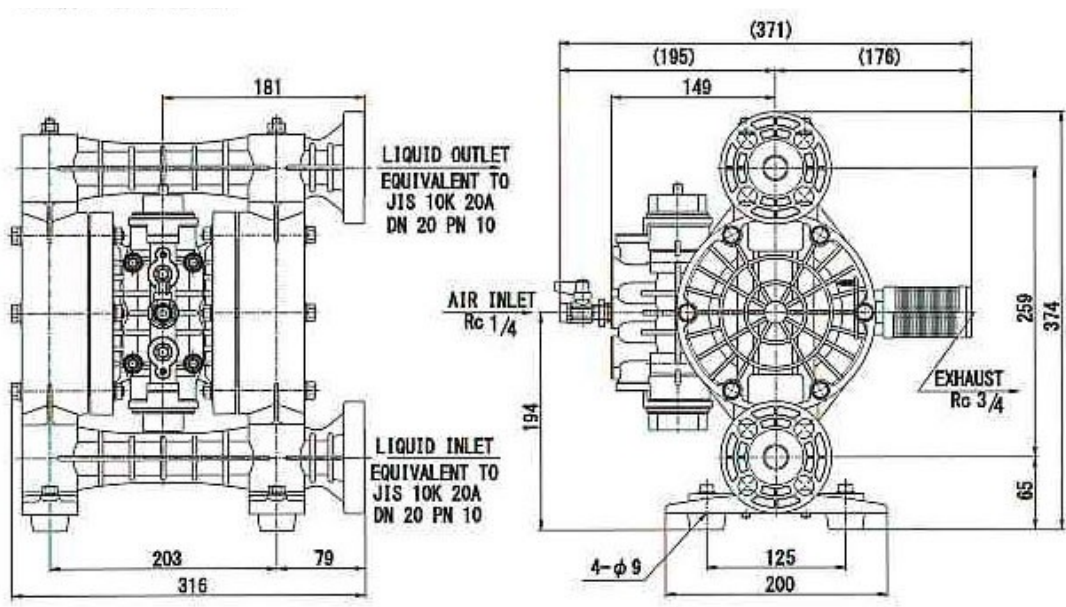


NDP-20BP □ flange

1Bar = 0,1MPa



| TECHNICAL DATA | | | | Pump type NDP-20BP.-PP-FLG (NDP-P20BP.-FL) | | | | |
|---|---------------|-------|-----|---|------------|--------|-----|----|
| Air supply pressure | 0,2-0,7 | MPa | | Max. viscosity (neg. suc.) | 5.000 | Cp | | |
| Max. discharge volume/cycle | 500 | Cc | | Max. viscosity (flooded suction.) | 10.000 | Cp | | |
| Max. discharge volume | 110 | L/min | | Max. air consumption | 1300 | NL/min | | |
| Max. discharge pressure | 0,7 | MPa | | Max. noise level | 89 | dB(a) | | |
| Max. size of solids | 2 | mm | | Operating temp. ambient | 70 | °C | | |
| Max. suction lift dry | PTFE fitted | - | m | Max operating temp. fluid | | | | |
| Max. suction lift wet | PTFE fitted | - | m | Diaphragm compound | CR / NBR | 82 | °C | |
| Max. fluid inlet pressure | PTFE fitted | - | MPa | Diaphragm compound | EPDM / TPO | 82 | °C | |
| Max. suction lift dry | Rubber fitted | 5,5 | m | Diaphragm compound | TPEE / FPM | 82 | °C | |
| Max. suction lift wet | Rubber fitted | 9.0 | m | | | | | |
| Max. fluid inlet pressure | Rubber fitted | 0,1 | MPa | Net Weight | Type P | PPG | 8,6 | Kg |
| Caution! Data based on water (1 Cp) | | | | * RC 3/4" CONNECTIONS AVAILABLE | | | | |
| Wetted parts: Pump chambers + manifolds | | | | PPG - Polypropylene reinforced with glass fiber | | | | |
| Motor | | | | PPG - Polypropylene reinforced with glass fiber | | | | |



Max pressure vs temperature

