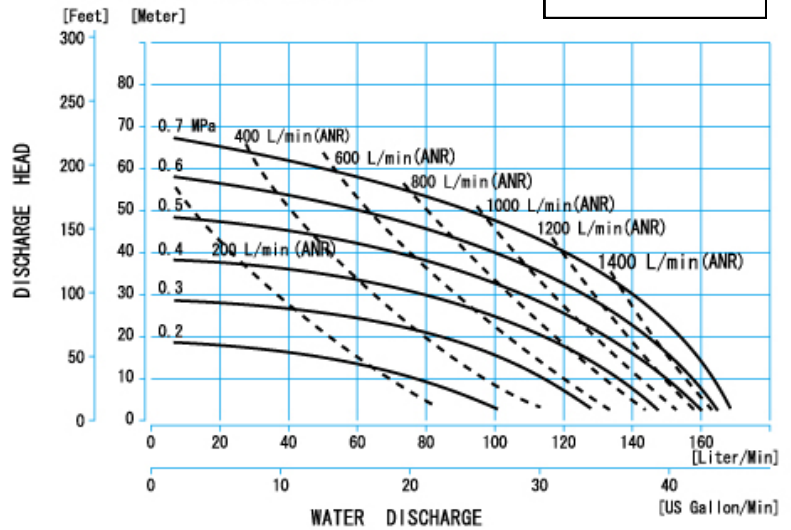


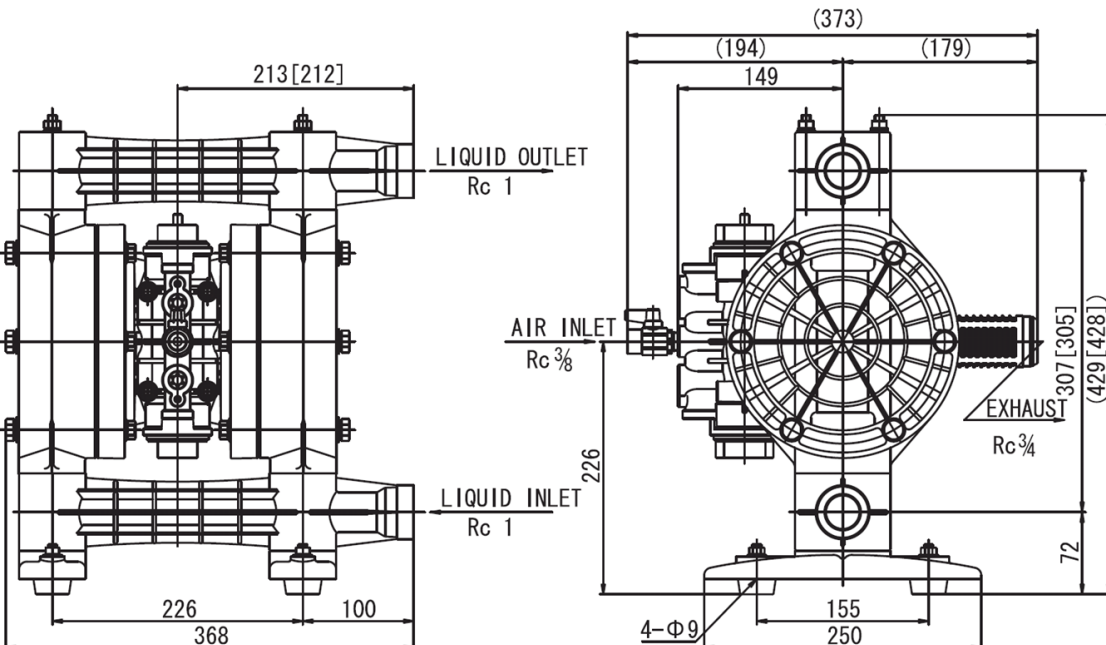


NDP-25BP □, BV □ flange

1Bar = 0,1MPa



TECHNICAL DATA				Pump type NDP-25BP.-PP			(NDP-P25BP.)		
Air supply pressure	0,2-0,7	MPa		Max. viscosity (neg. suc.)	5.000	Cp			
Max. discharge volume/cycle	600	Cc		Max. viscosity (flooded suction.)	10.000	Cp			
Max. discharge volume	160	L/min		Max. air consumption	1600	NL/min			
Max. discharge pressure	0,7	MPa		Max. noise level	89	dB(a)			
Max. size of solids	4,8	mm		Operating temp. ambient	70	°C			
Max. suction lift dry	PTFE fitted		m	Max operating temp. fluid					
Max. suction lift wet	PTFE fitted		m	Diaphragm compound	CR/ NBR	82	°C		
Max. fluid inlet pressure	PTFE fitted		MPa	Diaphragm compound	EPDM/ TPO	82	°C		
Max. suction lift dry	Rubber fitted	5,5	m	Diaphragm compound	TPEE/ FPM	82	°C		
Max. suction lift wet	Rubber fitted	9,0	m						
Max. fluid inlet pressure	Rubber fitted	0,1	MPa	Net Weight	Type P	PPG	11,0	Kg	
Caution! Data based on water (1 Cp)									
Wetted parts: Pump chambers + manifolds				PPG - Polypropylene reinforced with glass fiber					
Motor				PPG - Polypropylene reinforced with glass fiber					



Max pressure vs temperature

