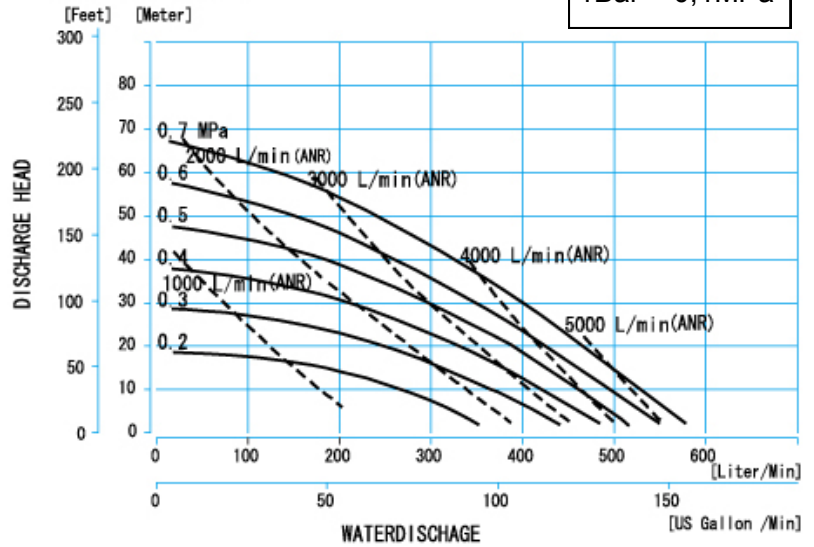


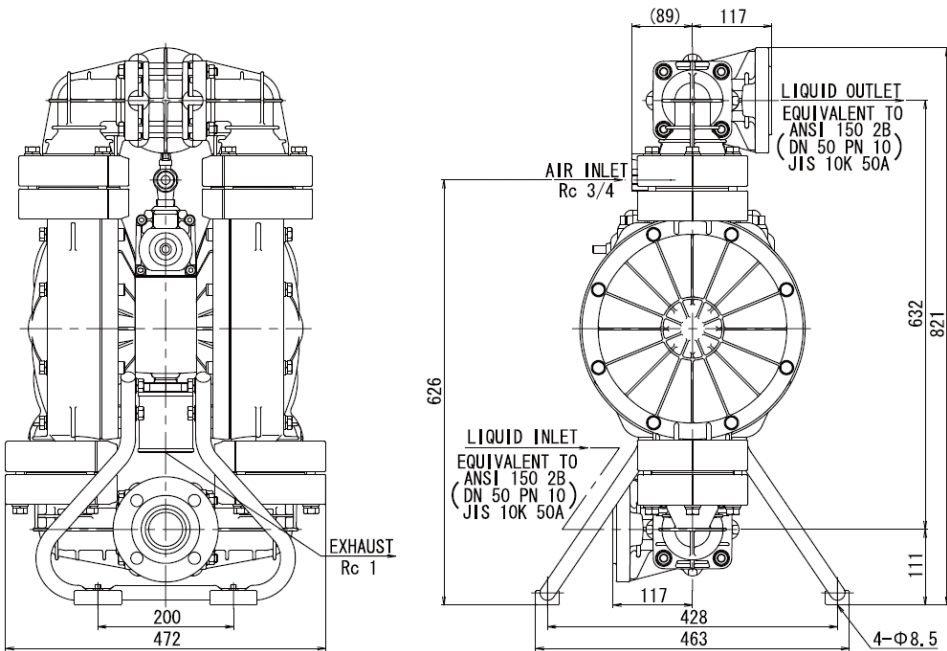


NDP-50BPT,BVT

1Bar = 0,1MPa



TECHNICAL DATA			Pump type NDP-50BPT			
Air supply pressure	0,2-0,7	MPa	Max. viscosity (neg. suc.)	10.000	Cp	
Max. discharge volume/cycle	2100	Cc	Max. viscosity (flooded suction.)	30.000	Cp	
Max. discharge volume	550	L/min	Max. air consumption	5500	NL/min	
Max. discharge pressure	0,7	MPa	Max. noise level	82	dB(a)	
Max. size of solids	8	mm	Operating temp. ambient	70	°C	
Max. suction lift dry	PTFE fitted	4,5	Max operating temp. fluid			
Max. suction lift wet	PTFE fitted	8,1	Diaphragm compound			
Max. fluid inlet pressure	PTFE fitted	0,03	Diaphragm compound	PTFE	82	°C
Max. suction lift dry	Rubber fitted		Diaphragm compound			
Max. suction lift wet	Rubber fitted					
Max. fluid inlet pressure	Rubber fitted		Net Weight	Type P	PPG	37,0 Kg
Caution! Data based on water (1 Cp)						
Wetted parts: Pump chambers + manifolds			PPG - Polypropylene reinforced with glass fiber			
Motor			ADC12 - Aluminum (PTFE COATING AVAILABLE)			



Max pressure vs temperature

