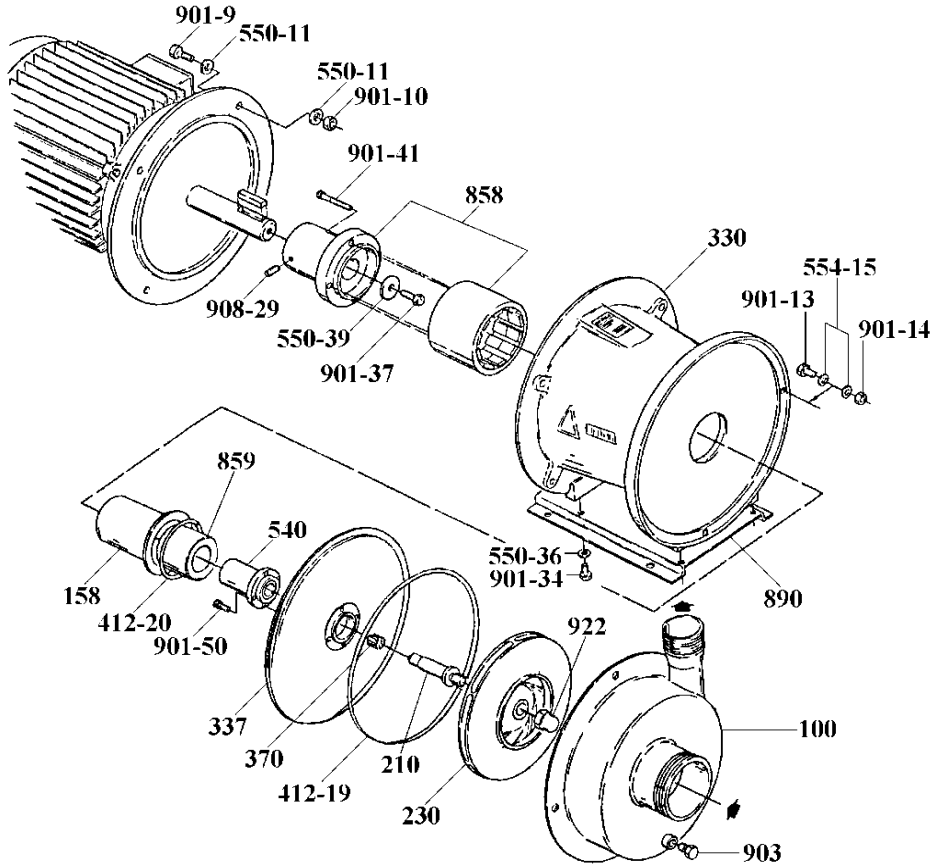


Item	Description	Type	Q'ty	Material	YMD25-100	YMD32-125
					Part No.	Part No.
100	Front Casing (BSPT)		1	1.4404	YMD52009	YMD51938
158	Rear Casing		1	SUS316	YMD0013	↔
210	Spindle	C	1	SUS329J1	YMD0019	↔
		K	1	SUS316L+Cr <sub>2</sub> O <sub>3</sub>	YMD0020	↔
230	Impeller	110 mm	1	1.4581+1.4404	YMD52010	↔
		120 mm	1	1.4581+1.4404	YMD519443	↔
		132 mm	1	1.4581+1.4404	YMD51944	↔
330	Bracket (1,1•1,5•2,2 kW)		1	Cast Iron	YMD51700	↔
337	Split Plate		1	1.4404	YMD200572	↔
370	Tolerance Ring		1	1.4310	YMD518415	↔
412-19	O-Ring (148x5)	V	1	FKM	YMD51941	↔
		E	1	EPDM	YMD200100	↔
		T	1	FEP	YMD51992	↔
412-20	O-Ring (67x4)	V	1	FKM	YMD51942	↔
		E	1	EPDM	YMD200101	↔
		T	1	FEP	YMD51991	↔
540	Bearing (+Housing)	C	1	Carbon+SUS316L	YMD0009	↔
		K	1	SiC+SUS316L	YMD0010	↔
550-11	Plate Washer (M10)		8	A2	YMD20352	↔
550-36	Plate Washer (M8)		4	A2	YMD42061	↔
550-39	Plate Washer	1,1 kW	1	1.4301	YMD201979	
	Plate Washer	1,5•2,2kW	1	1.4301	YMD51949	↔
554-15	Spring Washer (M10)		8	A2	YMD44804	↔
858	Drive Ring+Drive Magnet Unit	1,1 kW	1	Fe370+Magnet	YMD200924	
		1,5•2,2kW	1	Fe370+Magnet	YMD200925	↔
859	Magnet Capsule	1,1 kW	1	S6L+Magnet+SiC	YMD0005	
		1,5•2,2kW	1	S6L+Magnet+SiC	YMD0006	↔



Item	Description	Q'ty	Material	YMD25-100	YMD32-125
				Part No.	Part No.
890	<b>Base Plate</b>	1	1.4301	YMD51939	↔
901-9	<b>Bolt (M10x40)</b>	4	A2	YMD20425	↔
901-10	<b>Nut (M10)</b>	4	A2	YMD42938	↔
901-13	<b>Bolt (M10x35)</b>	V•E	A2	YMD20423	↔
	<b>Bolt (M10x45)</b>	T	A2	YMD20427	↔
901-14	<b>Nut (M10)</b>	4	A2	YMD42938	↔
901-34	<b>Bolt (M8x16)</b>	4	A2	YMD20411	↔
901-37	<b>Bolt (M6x16)</b>	1,1 kW	A2	YMD20410	
	<b>Bolt (M8x20)</b>	1,5•2,2kW	A2	YMD20415	↔
901-41	<b>Bolt (M6x30)</b>	4	A2	YMD48536	↔
901-50	<b>Bolt (M5x10)</b>	4	A4	YMD52131	↔
903	<b>Drain Plug (BSPT ¼")</b>	1	1.4401	YMD27799	↔
908-29	<b>Setscrew (M8x8)</b>	1	A2	YMD49267	↔
922	<b>Cap Nut (M12)</b>	1	A4	YMD52129	↔

\*Note: Classification of Stainless Steel Materials

1) Austenite Stainless Steel

- 1.4301 and A2 : equivalent to SUS304
- 1.4310 : equivalent to SUS301
- 1.4401 and A4 : equivalent to SUS316
- 1.4404 : equivalent to SUS316L
- 1.4571 : equivalent to SUS316Ti
- 1.4581 : equivalent to SUS316Nb

2) Ferritic-Austenitic (Duplex) Stainless Steel

- 1.4462 : equivalent to SUS329

△ Subject to change without prior notice! △ Actual pump may differ from the exploded view!