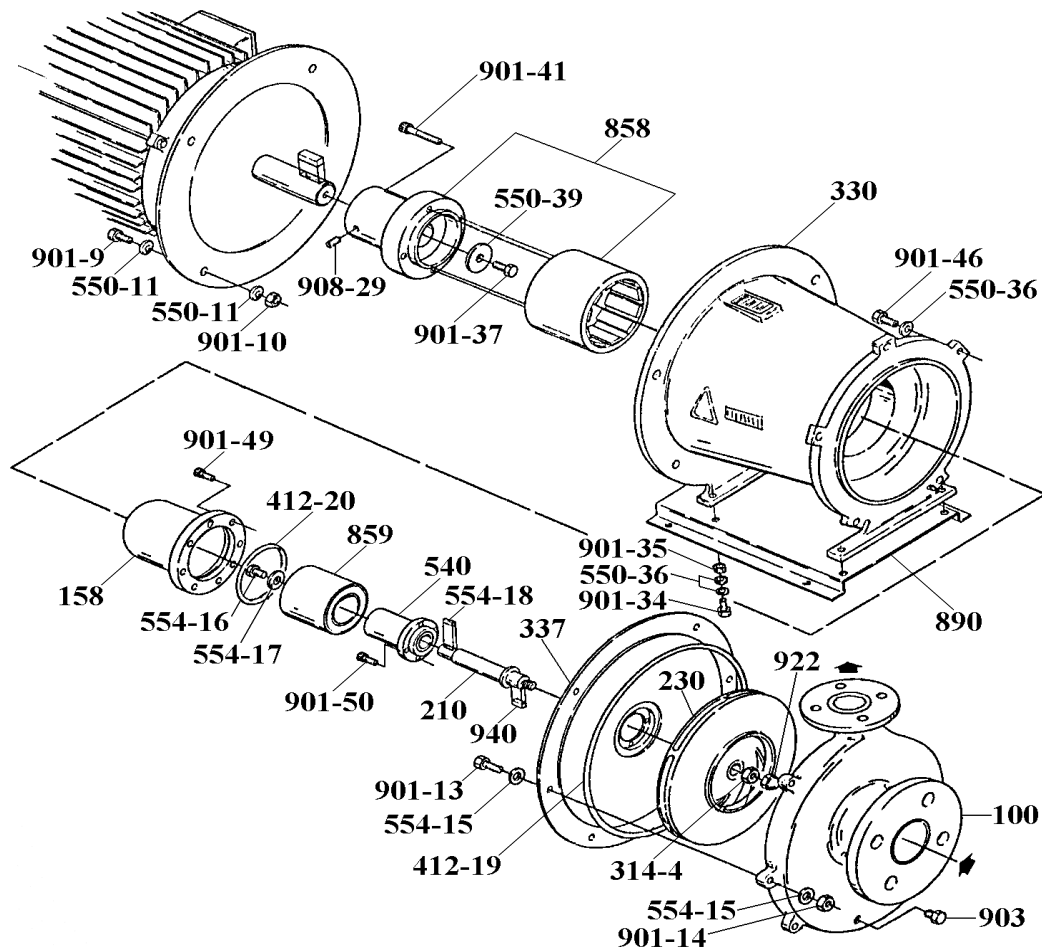


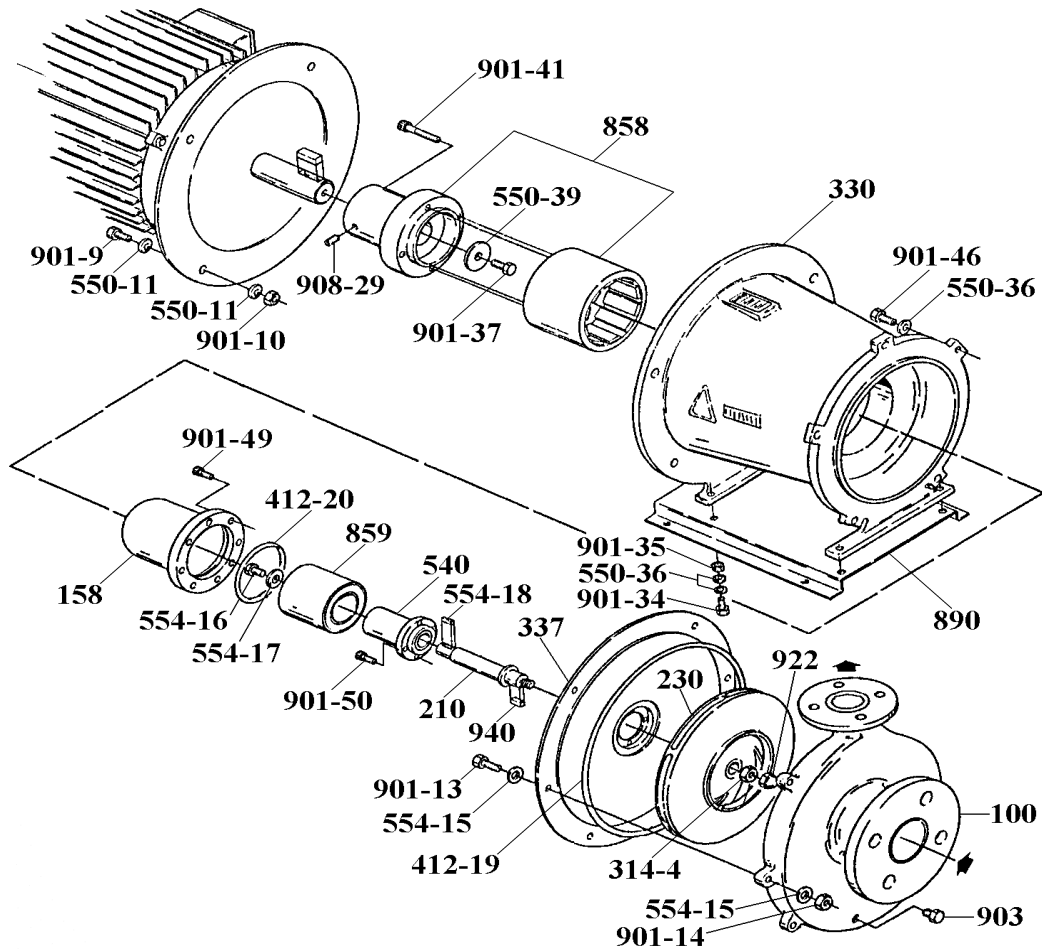
YMD 32-200 • 40-200

No. 68-017
Mar. 01, 2006



Item	Description	Type	Q'ty	Material	YMD32-200	YMD40-200
					Part No.	Part No.
100	Front Casing		1	1.4404	YMD200886	YMD200887
158	Rear Casing		1	SUS316L	YMD0014	ï
210	Spindle	K	1	SUS316L+Cr ₂ O ₃	YMD0049	ï
230	Impeller	32•40-200-165mm	1	1.4581+1.4404	YMD51977	ï
		32•40-200-180mm	1	1.4581+1.4404	YMD520559	ï
		32•40-200-195mm	1	1.4581+1.4404	YMD520556	ï
		32•40-200-208mm	1	1.4581+1.4404	YMD520553	ï
		32•40-200-220mm	1	1.4581+1.4404	YMD52055	ï
314-4	Second Nut (M12)		1	1.4401	YMD201112	ï
330	Bracket (IEC132) 5,5•7,5kW		1	Cast Iron	YMD52023	ï
337	Split Plate		1	1.4401	YMD52056	ï
412-19	O-Ring (235,14x5,33)	V	1	FKM	YMD207139	ï
		E	1	EPDM	YMD207137	ï
		T	1	FEP	YMD207138	ï
412-20	O-Ring (80x4)	V	1	FKM	YMD51901	ï
		E	1	EPDM	YMD200105	ï
		T	1	FEP	YMD51994	ï
540	Bearing (+Housing)	K	1	SiC+SUS316L	YMD0012	ï
550-11	Plate Washer (M12)		8	A2	YMD42465	ï
550-36	Plate Washer (M8)		14	A2	YMD42061	ï
550-39	Plate Washer (5,5•7,5kW)		1	1.4301	YMD52057	ï
554-15	Spring Washer (M10)		10	A2	YMD44804	ï

⚠ Subject to change without prior notice! ⚠ Actual pump may differ from the exploded view!



Item	Description	Q'ty	Material	YMD32-200	YMD40-200
				Part No.	Part No.
554-16	Bolt (M6x12) left	1	A4	YMD201601	ï
554-17	Washer (M6)	1	A4	YMD201602	ï
554-18	Spindle Key (5x5x16)	1	1.4401	YMD201383	ï
858	Drive Ring+Drive Magnet Unit	1	Fe370+Magnet	YMD200927	ï
859	Magnet Capsule	1	S6L+Magnet+SiC	YMD0008	ï
890	Base Plate	1	1.4301	YMD52052	ï
901-9	Bolt (M12x55)	4	A2	YMD40346	ï
901-10	Nut (M12)	4	A2	YMD20474	ï
901-13	Bolt (M10x50)	V•E	A2	YMD41751	ï
	Bolt (M10x55)	T	A2	YMD209144	ï
	Bolt (M10x25)		A2	YMD42896	ï
901-14	Nut (M10)	4	A2	YMD42938	ï
901-34	Bolt (M8x35)	4	A2	YMD20422	ï
901-35	Nut (M8)	4	A2	YMD20472	ï
901-37	Bolt (M12x20)	1	A2	YMD42899	ï
901-41	Bolt (M6x50)	4	A2	YMD201929	ï
901-46	Bolt (M8x20)	6	A2	YMD20415	ï
901-49	Bolt (M6x12)	8	A2	YMD13718	ï
901-50	Bolt (M5x10)	5	A4	YMD52131	ï
903	Drain Plug (BSPT ¼")	1	1.4401	YMD27799	ï
908-29	Setscrew (M8x8)	1	A2	YMD49267	ï
922	Cap Nut (M12)	1	A4	YMD52129	ï
940	Impeller Key (6x6x20)	1	1.4401	YMD51900	ï