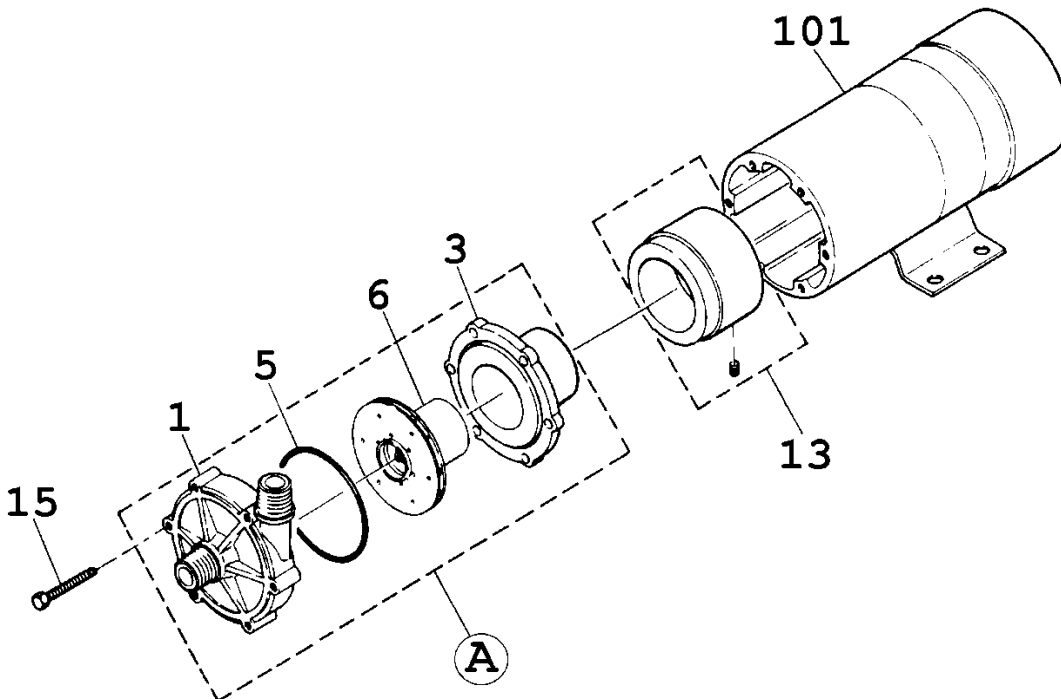


MD-15F • 30F

No. 52-019
Aug. 01, 2017



Item	Description		Q'ty	Material	MD-15F	MD-30F	
					Part No.	Part No.	
1	Front Casing (+Bearing) Unit		1	CFRETFE+SiC	MD0181	MD0197	
3	Rear Casing (+Bearing) Unit		1	CFRETFE+SiC	MD0187	MD0203	
5	O-Ring	G-65 • G-80	1	FKM-A	MD0182	MD0198	
			1	EPDM	MD0060	MD0199	
			1	Aflas®	MD9967	MD9966	
6	Impeller Unit	"X"	Ø 60 mm	1	CFRETFE+SiC +Ferrite	MD0184	
		"Y"	Ø 51 mm	1		MD0185	
	Impeller Unit	"X"	Ø 76 mm	1			MD0200
		"Y"	Ø 65,3 mm	1			MD0201
13	Drive Magnet Unit		1	Aluminium+Ferrite	MD0615	MD0616	
15	Screw+S.W.+P.W.	M4x32	6	SUS304 equivalent	MD0043	←	
101	Motor 'N' [AC220/240V] 10W		1		MD0395		
	Motor 'N' [AC220/240V] 45W		1			MD0406	
A	Wet End Set "X"		1	with FKM-A	MD0194	MD0209	
	Wet End Set "Y"		1	with FKM-A	MD0195	MD0211	

△ Subject to change without prior notice! △ Actual pump may differ from the exploded view!