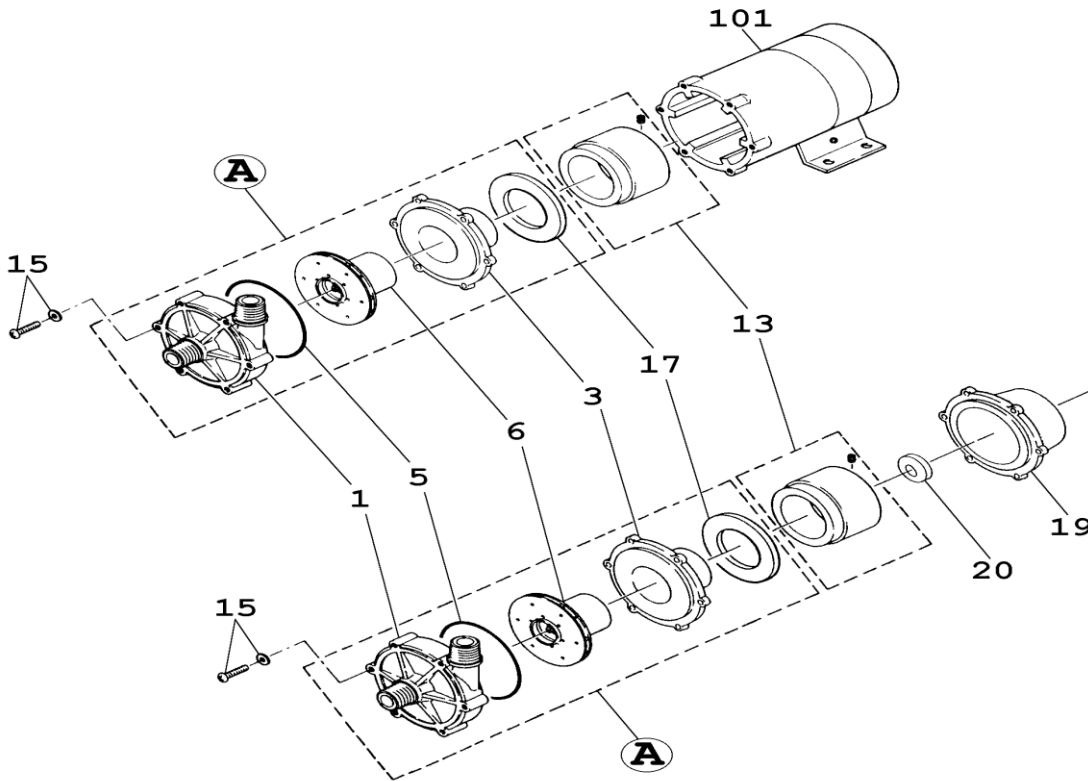


# MD-55F • 100F

No. 52-020  
Aug. 01, 2017



Item	Description			Q'ty	Material	MD-55F		MD-100F		
						Part No.	Part No.	Part No.	Part No.	
1	Front Casing (+Bearing) Unit			1	CFRETFE+SiC	MD0213		MD0229		
3	Rear Casing (+Bearing) Unit			1	CFRETFE+SiC	MD0219		MD0235		
5	O-Ring, AS568A-242•-244			1	FKM-A	MD0214		MD0230		
				1	EPDM	MD0409		MD0514		
				1	Aflas®	MD9965		MD9976		
6	Impeller Unit	"X"	Ø 82 mm	1	CFRETFE+SiC +Ferrite	MD0216				
		"Y"	Ø 72 mm	1		MD0217				
	Impeller Unit	"X"	Ø 96 mm	1					MD0232	
		"Y"	Ø 82 mm	1					MD0233	
13	Drive Magnet Unit (Ø11,5mm)			1	Aluminium+Ferrite	MD0112				
*13	" for IEC Motor (Ø11,0mm)			1		MD0634				
13	Drive Magnet Unit (Ø14mm)			1	Aluminium+Ferrite			MD0150		
*13	" for IEC Motor (Ø14mm)			1				MD0707		
15	Bolt+Washer [M5x50•M6x50]			6	SUS304 equivalent	MD0601		MD0378		
17	Retainer Ring			1	SUS304	MD0225		MD0155		
101	Motor [AC220/240V] 1-Phase			1		MD0324		MD0332		
	Motor [AC400/440V] 3-Phase			1				MD0334		
*19	Bracket for IEC Motor			1	FC200	MD0635		MD0336		
*20	Spacer for IEC Motor			1	Aluminium	MD0636		MD0411		
A	Wet End Set "X"			1	with FKM-A	MD0210		MD0242		
	Wet End Set "Y"			1	with FKM-A	MD0227		MD0243		

Note: Items marked with \* are required to fit an IEC Motor.

⚠ Subject to change without prior notice! ⚠ Actual pump may differ from the exploded view!