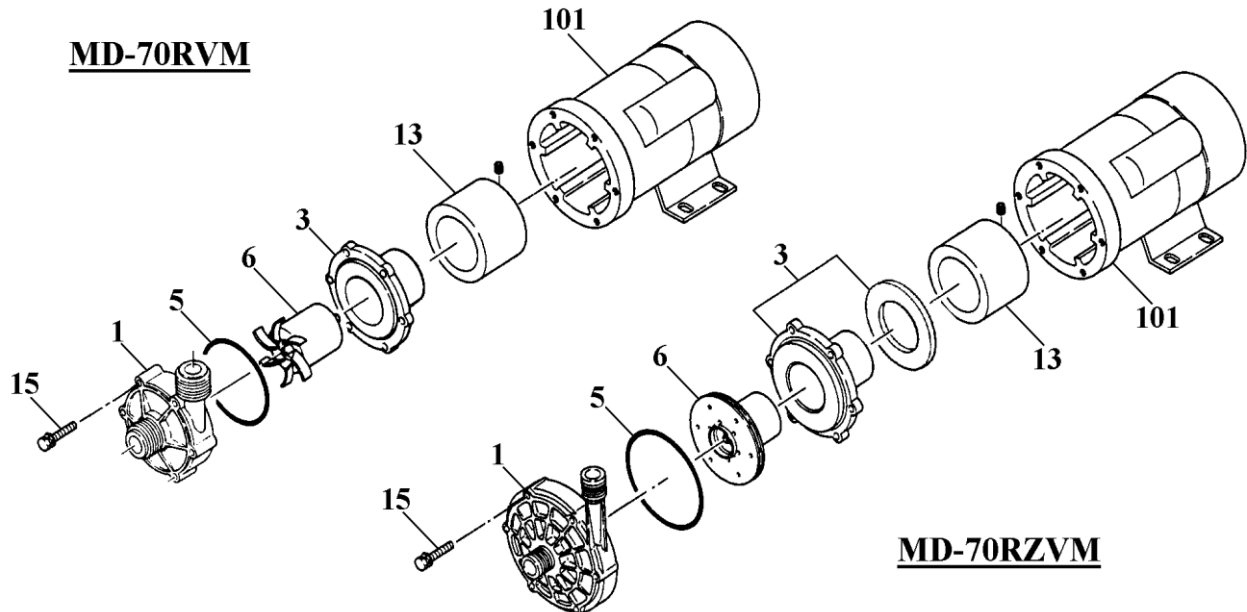


MD-70RVM • 70RZVM

No. 52-018
Aug. 01, 2017



Item	Description	Q'ty	Material	MD-70RVM	MD-70RZVM
				Part No.	Part No.
1	Front Casing 'M' (+Bearing) Unit	1	CFRPVDF+PTFE	MD0729	
		1	CFRPVDF+PPS		MD0820
3	Rear Casing (+Bearing) Unit	1	CFRPVDF+PTFE	MD0731	
	" " " + Retainer Ring "	1	CFRPVDF+PPS+S4		MD0821
5	O-Ring	AS568-242	1	FKM	←
			1	EPDM	←
6	Impeller Unit	1	CFRPVDF+Ferrite +Alumina Ceramic	MD0732	
		1			MD0737
13	Drive Magnet Unit	1	Aluminium+Ferrite	MD0131	←
15	Bolt+S.W.+P.W.	6	M5x40 SUS304 equivalent	MD0377	←
101	Motor [AC220/240V] 1-Phase	1		MD0327	MD0595
	Motor [AC400/440V] 3-Phase	1		MD0329	MD0597
*	Front Casing (+Bearing) Unit	1	CFRPVDF+PTFE	MD0728	
		1	CFRPVDF+PPS		MD0819

*Note: "Hose" connection type Front Casing Unit (not illustrated) is optionally available.

⚠ Subject to change without prior notice! ⚠ Actual pump may differ from the exploded view!